

SPARE-PARTS BOOK

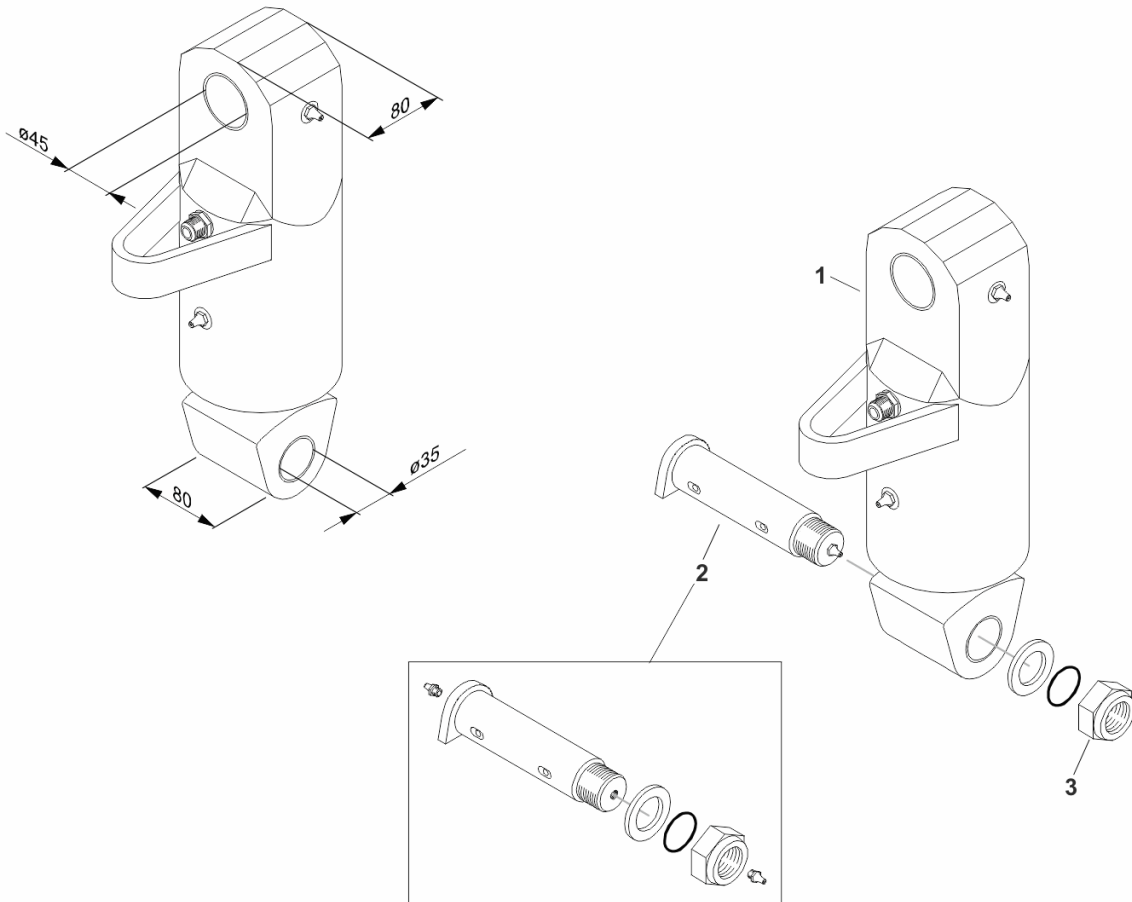
TABLE OF CONTENTS

Model: 97037**Serial number: 97037****Chapter :**

102091	Hanger / Load weighing device / Ø45/35 / 80/80	Page 2
108901	Light equipment cL/R / 24 VDC	Page 4
3042002	Base	Page 6
3042112	Column, H=2162 / V906, C912 /cL	Page 8
3042202	First boom, L=4000	Page 10
3042311	Second boom, L=2300 / FT 96 S	Page 12
3042411	Boom extension L=2350 / FT 96 S	Page 14
3042421	Boom extension L=2317 / FT 96 S	Page 16
3042504	Stabilizers	Page 18
3042541	Step	Page 20
3042651	Service stairs	Page 22
3043011	Slewing system ø110-724 / 415°	Page 24
3043103	First boom cylinder Ø125/70-720 / H=2162 / p=2	Page 26
3043203	Second boom cylinder Ø125/70-875 / p=20,5/24	Page 28
3043331	Extension cylinder, Ø70/40-1600 / p=20,5 / 24 M	Page 30
3043402	Stabilizer cylinder Ø90/70-750 / A / JIC	Page 32
3043502	Stabilizer extension cylinder Ø40/25-1164 / p=8 l	Page 34
3044263	Stabilizer valve PVG 32/6 / E	Page 36
3044541	Control valve 1 / 1 / 4 / F 130 CF-N	Page 38
3045011	Hydraulic tubings at base, 1 / JIC / PVG 32 / 3-6-	Page 40
3045211	Pressure filter 1 / FF 5001	Page 43
3045901	Hydraulic tubings at column 1/ 4 / R / JIC / cL / F	Page 45
3046041	Hydraulic tubings at first boom JIC / L=4000 / cL	Page 48
3046171	Hydraulic tubings at first boom, cL / 4 / JIC / F 13	Page 50
3046221	Hydraulic tubings at second boom JIC / FT 96 S	Page 52
3046401	Hydraulic tubings at telescope JIC / FT 96 S	Page 54
3047311	Hydraulic tubings at column, CE-equipment	Page 56
3047501	Up/down valve, JIC / F 130 CF-N / PVG 32 / PV	Page 58
3047732	Plates, F 96 ST 97	Page 60
3047822	Load weighing device, JIC / c / LM2000 Plus	Page 62
3048551	Weighing tubings at telescope, T 10 / JIC / LM 20	Page 64
3048821	Centralized lubrication system, safematic / F 82/!	Page 66
833241	Driver's cab model / 4 / cL V906V / mechanical c	Page 68
837141	Plates Loglift / cabin	Page 70
838912	Column, cab model, K 500/600/700 MF / E	Page 72

Model:97037
Chapter

102091 - Hanger / Load weighing device / Ø45/35 / 80/80



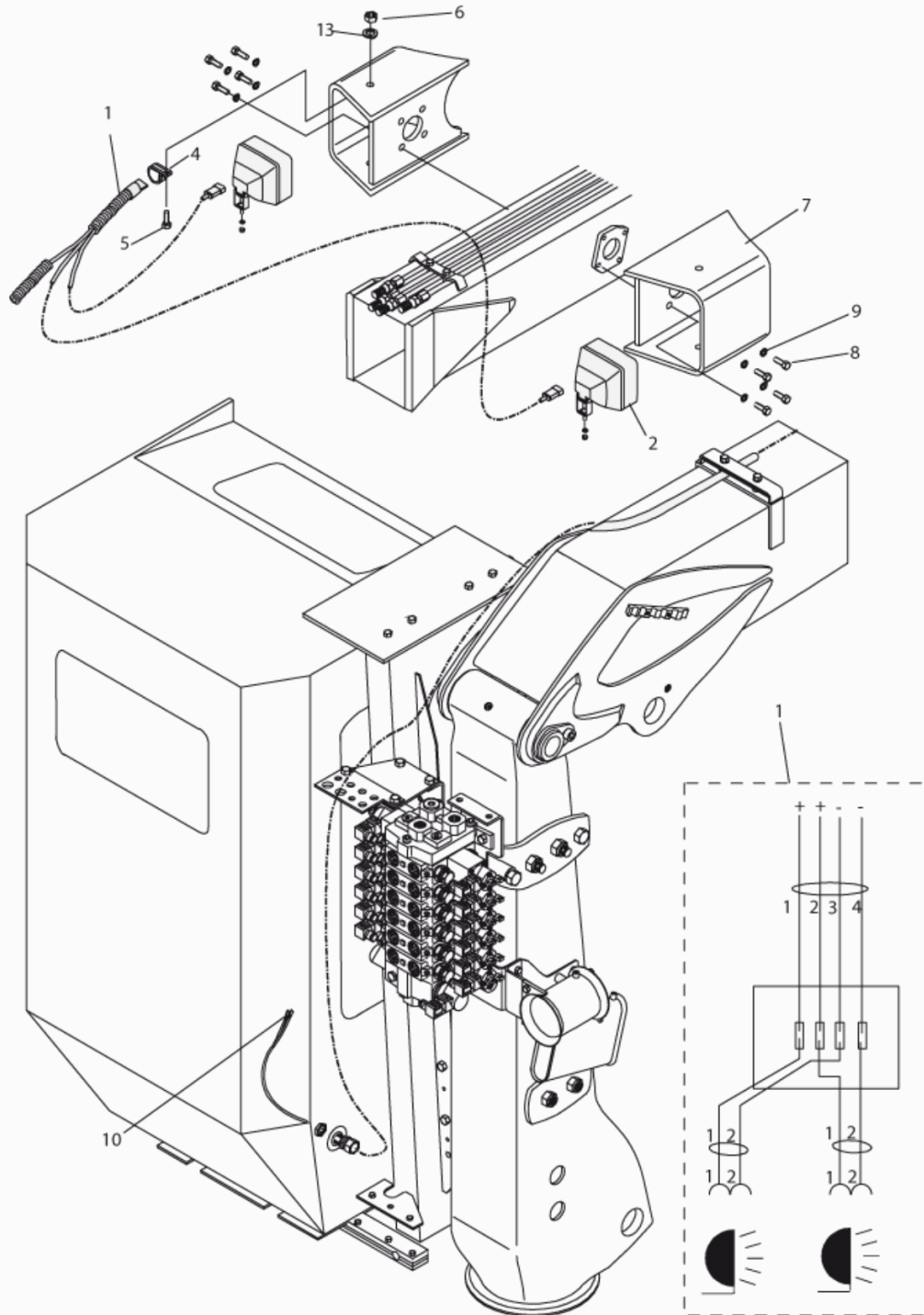
SEAL KIT

102091_5

Pos	Part No	Description EN	Description DE	Description FR	Quantity
1	210319	Hanger	Gehänge	Chape	1
2	94256144	Shaft	Achse	Axe	1
3	46023324	Self-locking hexagon nut M 24 8	Sechskantmutter, selbstsichernd M 24 8	Ecrou hexagonal autoblocant M 24 8	1
10	220452	Seal kit	DICHTUNGSSATZ	KIT DE JOINT	1
Kit 210251 Hanger assy:			Gehänge komplett	Chape complet	
1	210319	Hanger	Gehänge	Chape	1
2	94256144	Shaft	Achse	Axe	1
3	46023324	Self-locking hexagon nut M 24 8	Sechskantmutter, selbstsichernd M 24 8	Ecrou hexagonal autoblocant M 24 8	1

Model:97037
Chapter

108901 - Light equipment cL/R / 24 VDC



108901_4

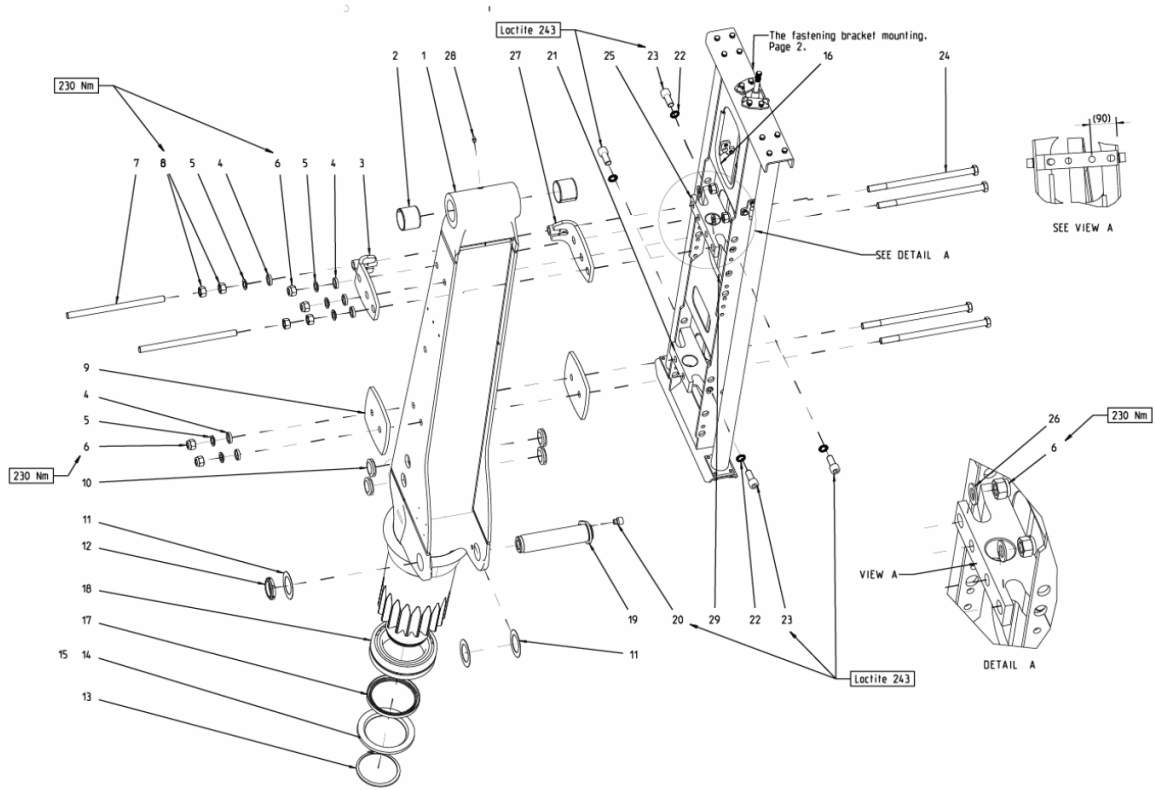
Pos	Part No	Description EN	Description DE	Description FR	Quantity
1	211181	Cable			1
2	210471	working light			2
4	82402323	Fastener of tube			1
5	41263100	SCREW	SCHRAUBE	VIS	1
6	46023306	Hexagon nut			1
7	210612	Housing			2
8	41265060	Hexagon screw			8
9	54201212	Catch			8
10	79901203	COUPLING			4
13	54060309	Washer			1
14	94390025	Bunch clamp			20

Pos	Part No	Description EN	Description DE	Description FR	Quantity
1	304920	BASE		BASE	0
2	82371277	SCRAPER RING	SCHABER RING	JOINT RACLEUR	1
3	210001FC	BEARING BUSHING		ROULEMENT BAGUE	1
4	82370275	SHAFT SEAL	Dichtung	JOINT D AXE	1
5	9820043	RETAINING RING	,RETAINING RING	CIRCLIPS	1
6	94565134	SCREW		VIS	2
7	82371017	Seal ring	DICHTRING	JOINT D ETANCHEITE	2
8	210002	RING		ANNEAU	1
9	304110	FASTENING BALK			1
10	82368180	O-RING		JOINT TORIQUE	2
11	989-2184	BEARING BUSHING	BEARING BUSHING	BEARING BUSHING	1
12	304114	Flange	FLANSCH	BRIDE	1
13	9817123	LOCK WASHER	VERRIEGELUNGSSCHEIBE	RONDELLE-FREIN	4
14	9900527	HEXAGON HEAD SCREW	SCHRAUBE	VIS	4
15	9906185	GREASE NIPPLE	SCHMIERNIPPEL	GREASE NIPPLE	3
16	94380726	SWING ELBOW COUPLING	Coupling, swing elbow, DSVW 10 - G1/4	Coupling, swing elbow, DSVW 10 - G1/4	1
17	94565789	HYDRAULIC PIPE	ROHR	CONDUITE	1
18	94383030	OIL LEVEL EYE	ÖLSTANDANZEIGE, ÖSE	JAUGE	3
19	9904051	SUPPORT RING	DICHTSCHEIBE	RONDELLE D'ETANCHEITE	1
20	30678200	PLUG	Plug	Plug	1
21	3770109	LEVEL INDICATOR	LIBELLE	NIVEAU A BULLE D AIR	1
Kit 304134 FASTENING BEAM,ASS					
BEFESTIGUNG TRÄGER KPL					
FERMETURE					
9	304110	FASTENING BALK			1
11	989-2184	BEARING BUSHING	BEARING BUSHING	BEARING BUSHING	1
15	990-6185	Grease nipple			3
Kit 304933 CRANE BASE ASSEMB					
GRUNDPLATTE KPL.					
BASE					
1	304920	BASE		BASE	1
2	82371277	SCRAPER RING	SCHABER RING	JOINT RACLEUR	1
3	210001	Conflicting item	LAGERBUCHSE	BAGUE	1
4	82370275	SHAFT SEAL	Dichtung	JOINT D AXE	1
5	9820043	RETAINING RING	,RETAINING RING	CIRCLIPS	1
6	94565134	SCREW		VIS	2
7	82371017	Seal ring	DICHTRING	JOINT D ETANCHEITE	1
8	210002	RING		ANNEAU	1
15	990-6185	Grease nipple			3
16	94380726	SWING ELBOW COUPLING	Coupling, swing elbow, DSVW 10 - G1/4	Coupling, swing elbow, DSVW 10 - G1/4	1
17	94565789	HYDRAULIC PIPE	ROHR	CONDUITE	1
18	94383030	OIL LEVEL EYE	ÖLSTANDANZEIGE, ÖSE	JAUGE	3
19	990-4051	Seal ring			1
20	30678200	PLUG	Plug	Plug	1

Model:97037

Chapter

3042112 - Column, H=2162 / V906, C912 /cL



Note! Parts on position: 15-336-1888 and 14-336-1896 are alternatives. Assemble one ring giving the smallest axial play!

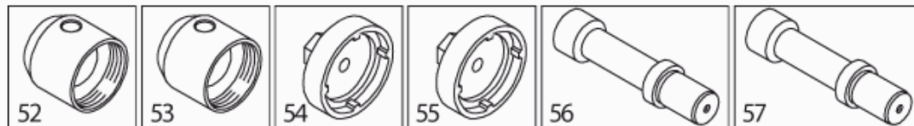
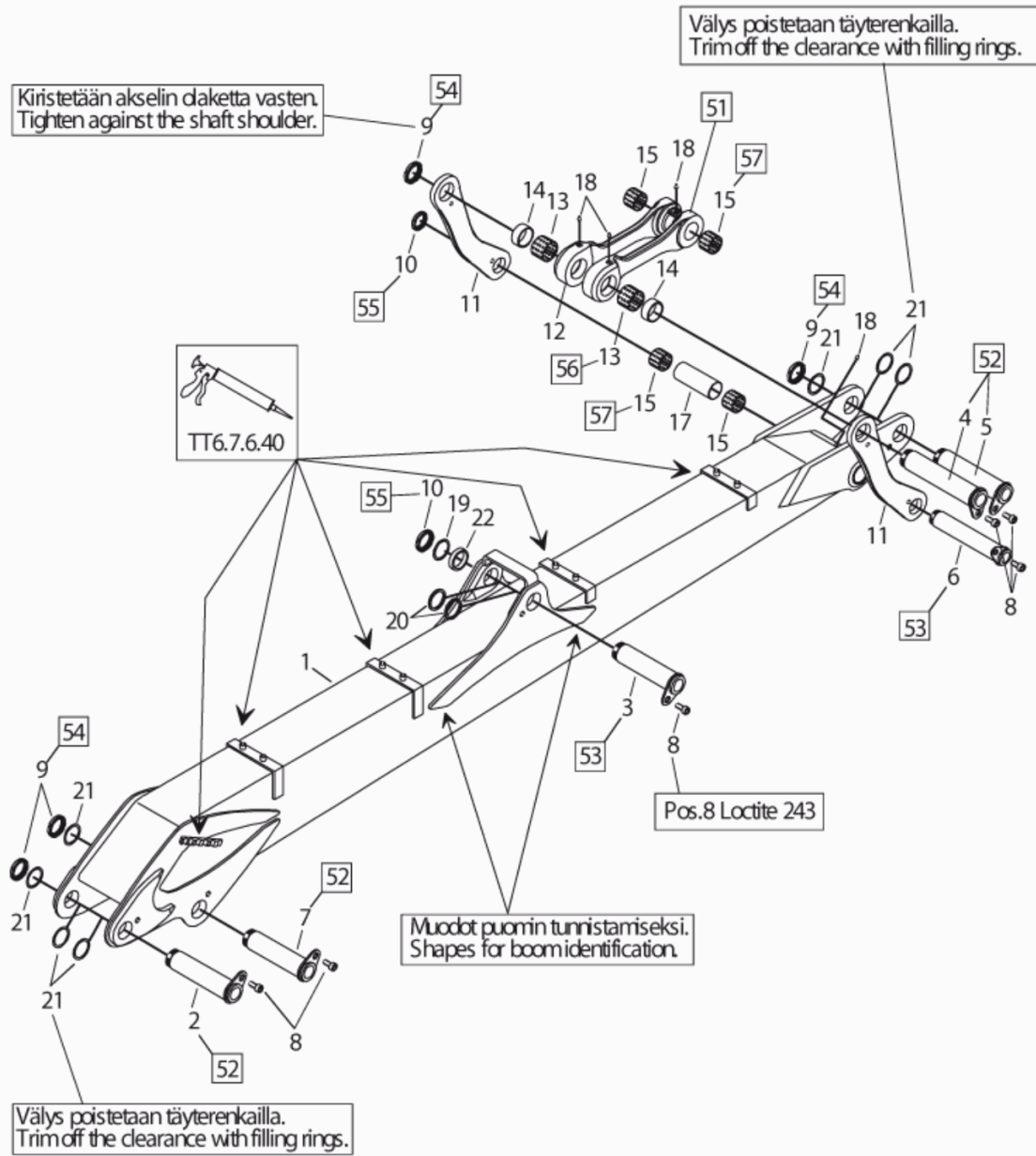
See Page 2

3042112_13

Pos	Part No	Description EN	Description DE	Description FR	Quantity
2	9960341	BUSHING	Bus	BAGUE	2
3	304260	Fastening bracket	BEFESTIGUNGHALTER	FERMETURE	1
4	212866	SPHERICAL WASHER 36/23.2	SPHERICAL WASHER	SPHERICAL WASHER	6
5	5490111	WASHER		RONDELLE	6
6	9967036	LOCKING NUT	LOCKING NUT	ECROU DE VERROUILLAGE	6
7	597-4048	STUD BOLT M20x350	stud bolt M20x350	stud bolt M20x350	2
8	9926101	NUT	MUTTER	ECROU	4
9	304213	Plate	PLATTE	PLAQUE	2
10	3629465	CONDUIT ENTRY	EINLASSROHR	PASSE FIL	4
11	94268691	Filling ring	FÜLLRING	JOINT DE REMPLISSAGE	3
12	9979786	LOCKING NUT	VERRIEGELUNGSMUTTER	ECROU DE VERROUILLAGE	1
13	992-8901	CIRCLIPS FOR SHAFTS	CIRCLIPS FOR SHAFTS	CIRCLIPS FOR SHAFTS	1
14	3361896	RING	RING,-	ELINGUE	1
15	3361888	RING	RING,-	ELINGUE	1
16	3720900	STRIP	DICHTLEISTE		2
17	82363916	Seal	DICHTUNG	JOINT D ETANCHEITE	1
18	112063	SPHERICAL ROLLER BEARING	SPHÄRISCH WÄZLAGER	SPHÉRIQUE ROULEMENT À ROULEA	1
19	304241	Shaft	WELLE	AXE	1
20	94242339	Set screw	SCHRAUBENSATZ	KIT DE VIS	1
21	304264	Fastening	BEFESTIGUNG	FERMETURE	1
22	9814892	LOCKING WASHER	VERRIEGELUNGSSCHEIBE	RONDELLE-FREIN	4
23	989-1684	HEX SOCKET HEAD CAP SCREW M20	HEX SOCKET HEAD CAP SCREW	HEX SOCKET HEAD CAP SCREW	4
24	989-4888	HEXAGON HEAD SCREW			4
25	304258	Fastening	BEFESTIGUNG	FERMETURE	1
26	9907602	WASHER M20	SCHEIBE	RONDELLE M20	2
27	304259	Fastening bracket	BEFESTIGUNGHALTER	FERMETURE	1
28	9906185	GREASE NIPPLE	SCHMIERNIPPEL	GRAISSEUR	1
		Kit 304209FC COLUMN, ASSY F96	PILLAR,ASSY	COLONNE	
1		-COLUMN-			1
2	9960341	BUSHING	Bus	BAGUE	2
28	9906185	GREASE NIPPLE	SCHMIERNIPPEL	GRAISSEUR	1

Model:97037
Chapter

3042202 - First boom, L=4000

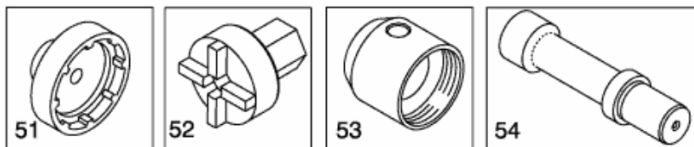
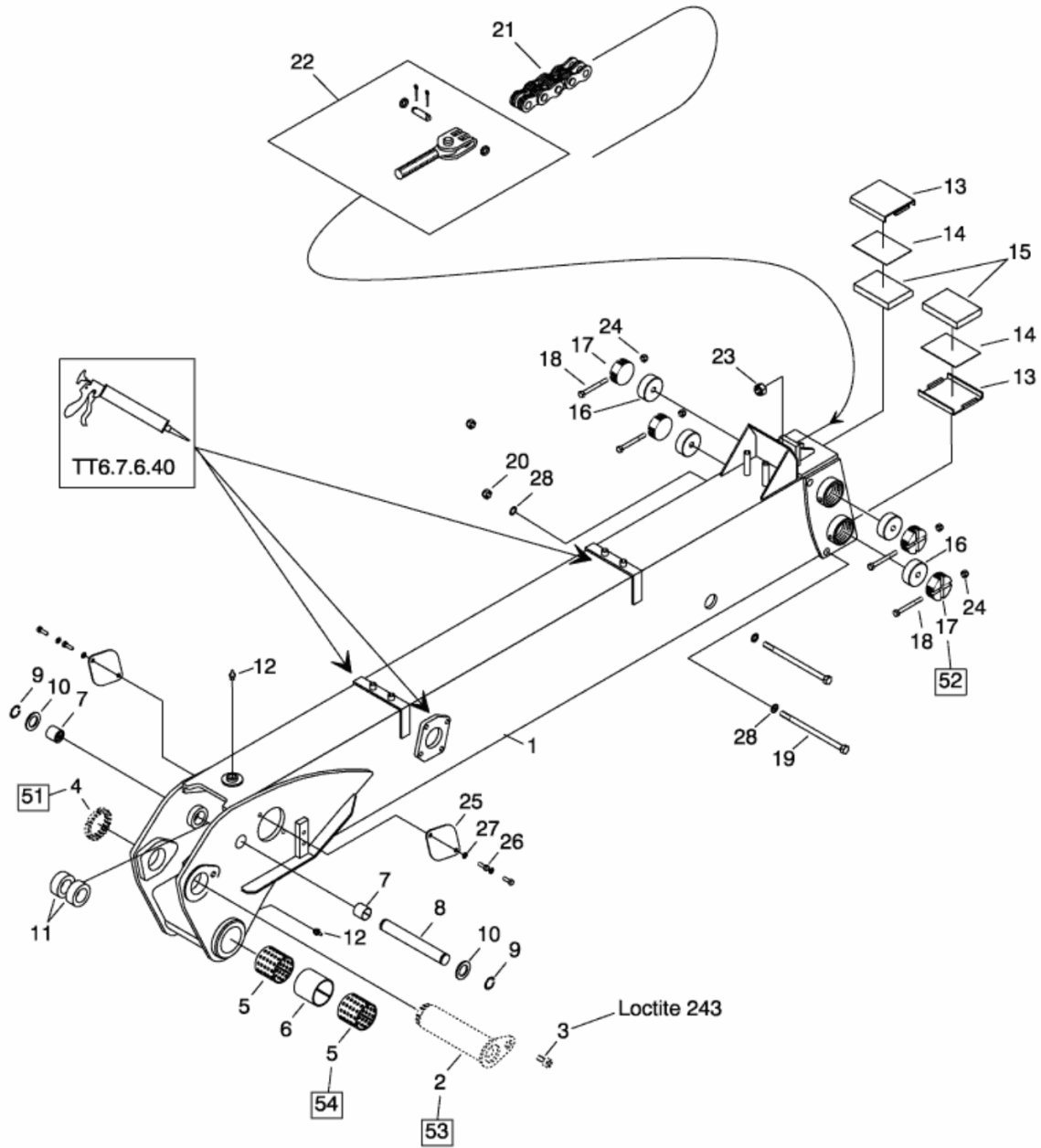


Pos	Part No	Description EN	Description DE	Description FR	Quantity
1	304300	First boom	Hubarm	Bras de levage	1
2	304325	Shaft	Achse	Axe	1
3	305334	Shaft	Achse	Axe	1
4	304329	Shaft	Achse	Axe	1
5	304327	Shaft	Achse	Axe	1
6	304331	Shaft	Achse	Axe	1
7	94567313	Shaft	Achse	Axe	1
8	94242339	Set screw 4P-242339, M16x16,	Gewindestift 4P-242339, M16x16,	Vis d'arrêt 4P-242339, M16x16,	6
9	9978119	Pivot nut	Achsmutter	Ecrou d'axe	4
10	9979786	Pivot nut	Achsmutter	Ecrou d'axe	2
11	304338	Distance lever	Distanzstange	Tige d'écartement	2
12	304354	Lever	Stange	Levier	0
13	61313067	Bearing bush	Lagerbuchse	Coussinet	0
14	302334	Bushing	Buchse	Manchon	2
15	61313065	Bearing bush	Lagerbuchse	Coussinet	2
17	304342	Distance bushing	Distanzbuchse	Entretoise	1
18	67411010	Grease nipple	Schmiernippel	Graisseur	1
19	94268691	Filling ring	Füllring	Bague de garniture	0
20	94234430	Distance ring	Distanzring	Entretoise	2
21	94263961	Filling ring	Füllring	Bague de garniture	0
22	305336	Distance ring	Distanzring	Entretoise	1
52	94263938	Guide bushing	Führungshülse	Guide d'anneau d'étanchéité	0
53	94263390	Guide bushing	Führungshülse	Guide d'anneau d'étanchéité	0
54	3350371	Spanner for pivot nut	Schlüssel für Achsmutter	Clé pour écrou d'axe	0
55	3350363	Spanner for pivot nut	Schlüssel für Achsmutter	Clé pour écrou d'axe	0
56	94263934	Mandrel	Dorn	Mandrin	0
57	94263941	Mandrel	Dorn	Mandrin	0
Kit 304301 First boom assy:		Hubarm komplett		Bras de levage complet	
1	304300	First boom	Hubarm	Bras de levage	1
15	61313065	Bearing bush	Lagerbuchse	Coussinet	2
17	304342	Distance bushing	Distanzbuchse	Entretoise	1
18	67411010	Grease nipple	Schmiernippel	Graisseur	1
Kit 304355 Lever assy:		Stange komplett		Levier complet	
12	304354	Lever	Stange	Levier	1
13	61313067	Bearing bush	Lagerbuchse	Coussinet	2
15	61313065	Bearing bush	Lagerbuchse	Coussinet	2
18	67411010	Grease nipple	Schmiernippel	Graisseur	3

Model:97037

Chapter

3042311 - Second boom, L=2300 / FT 96 S



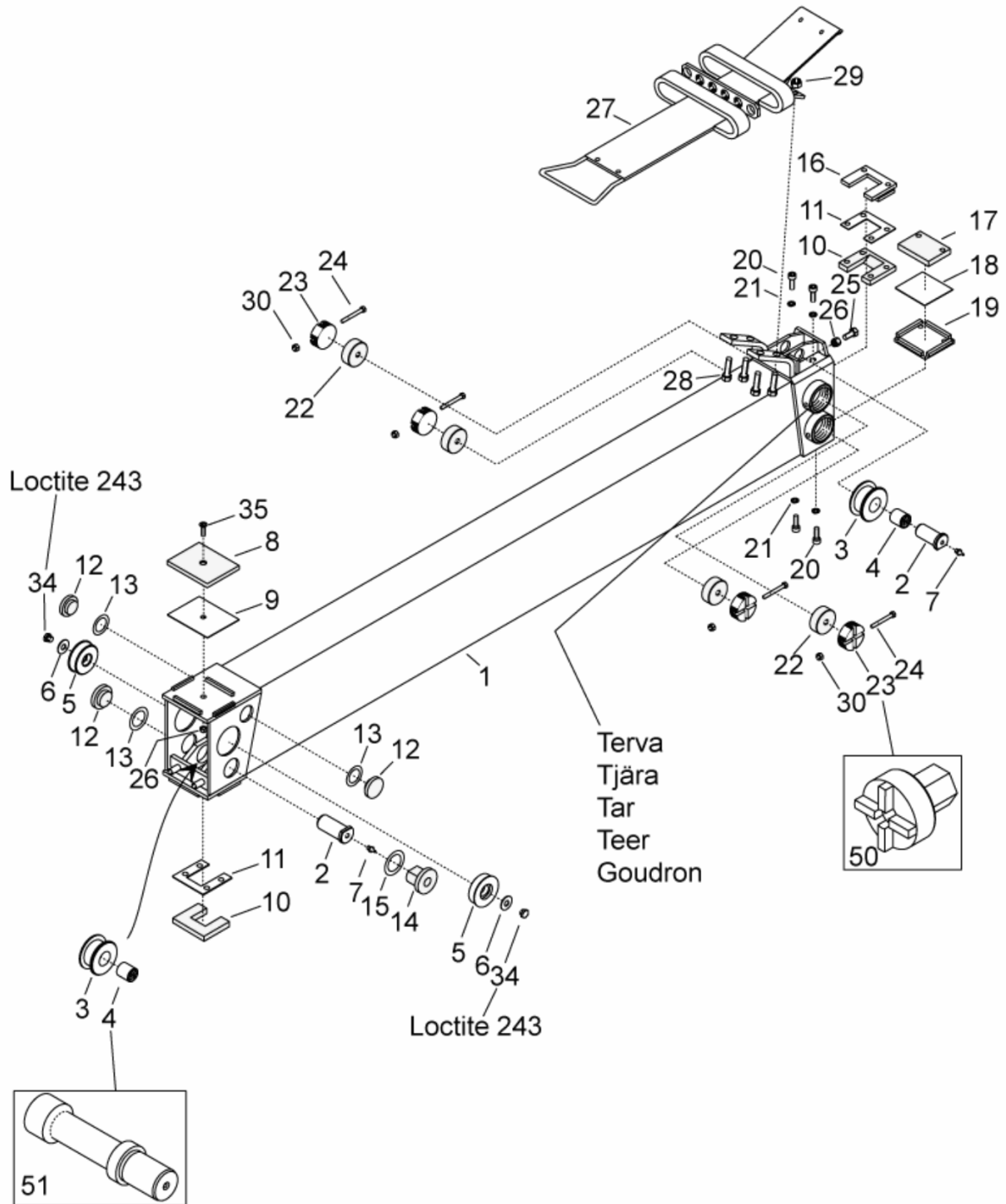
3042311_4

Pos	Part No	Description EN	Description DE	Description FR	Quantity
2	94242411	Shaft	Achse	Axe	0
3	94242339	Set screw 4P-242339, M16x16,	Gewindestift 4P-242339, M16x16,	Vis d'arrêt 4P-242339, M16x16,	0
4	9979786	Pivot nut	Achsmutter	Ecrou d'axe	0
5	61313070	Bearing bush	Lagerbuchse	Coussinet	2
6	304428	Distance bushing	Distanzbuchse	Entretoise	1
7	61300030	Bearing bush	Lagerbuchse	Coussinet	2
8	94242466	Shaft	Achse	Axe	1
9	54330300	Circlip 30x1,5, DIN 471	Sicherungsring 30x1,5, DIN 471	Circlips 30x1,5, DIN 471	2
10	54181315	Support plate	Stützblech	Plaque de support	2
11	94413448	Distance ring	Distanzring	Entretoise	2
12	67411010	Grease nipple	Schmiernippel	Graisseur	2
13	94276442	Bearing housing	Lagergehäuse	Logement de palier	2
14	94276447	Tight-fitting plate	Passblech	Plaque d'ajustement	0
15	94276444	Bearing plate	Lagerblech	Disque à pression	2
16	94230426	Bearing	Lager	Palier	4
17	94242442	Bearing cover	Lagerflansche	Chapeau de palier	4
18	40263230	Hexagon screw M 6x 80 8.8 A2L, DIN 934	Sechskantschraube M 6x 80 8.8 A2L, DIN 934	Vis hexagonale M 6x 80 8.8 A2L, DIN 934	4
19	40265355	Hexagon screw M12x190 10.9 A2L, SFS	Sechskantschraube M12x190 10.9 A2L, SFS	Vis hexagonale M12x190 10.9 A2L, SFS	2
20	46023312	Self-locking hexagon nut M12 m 8 s.sink	Sechskantmutter, selbstsichernd M12 m 8 s	Ecrou hexagonal autoblocant M12 m 8 s	2
21	67627050	Fleyer chain	Fleyerketten	Chaîne jointive	1
22	67627106	Fastening	Halter	Fixation	1
23	46023320	Self-locking hexagon nut M20 m 8 s.sink	Sechskantmutter, selbstsichernd M20 m 8 s	Ecrou hexagonal autoblocant M20 m 8 s	1
24	46023306	Self-locking hexagon nut M 6 m 8 s.sink	Sechskantmutter, selbstsichernd M 6 m 8 s	Ecrou hexagonal autoblocant M 6 m 8 s.	4
25	94241433	Deck	Deckel	Couvercle	2
26	41263560	Hexagon screw M 8x 16 8.8 A2L, DIN 934	Sechskantschraube M 8x 16 8.8 A2L, DIN 934	Vis hexagonale M 8x 16 8.8 A2L, DIN 934	4
27	54201208	Lock washer	Fächerscheibe	Rondelle d'arrêt	4
28	54060314	Washer M12 sink., ISO 7091	Unterlagscheibe M12 sink., ISO 7091	Rondelle M12 sink., ISO 7091	4
51	3350363	Spanner for pivot nut	Schlüssel für Achsmutter	Clé pour écrou d'axe	0
52	94236931	Spanner for bearing flange	Schlüssel für Lagerflansch	Clé pour le chapeau de palier	0
53	94263390	Guide bushing	Führungshülse	Guide d'anneau d'étanchéité	0
54	94263934	Mandrel	Dorn	Mandrin	0
	304.231.1	Second boom 4 No 82051-, 96051-			0
Kit 304437 Second boom assy:		Knickarm komplett		Bras de basculement complet	
1	304440	Second boom	Knickarm	Bras de basculement	1
5	61313070	Bearing bush	Lagerbuchse	Coussinet	2
6	304428	Distance bushing	Distanzbuchse	Entretoise	1
7	61300030	Bearing bush	Lagerbuchse	Coussinet	2
12	67411010	Grease nipple	Schmiernippel	Graisseur	2

Model:97037

Chapter

3042411 - Boom extension L=2350 / FT 96 S

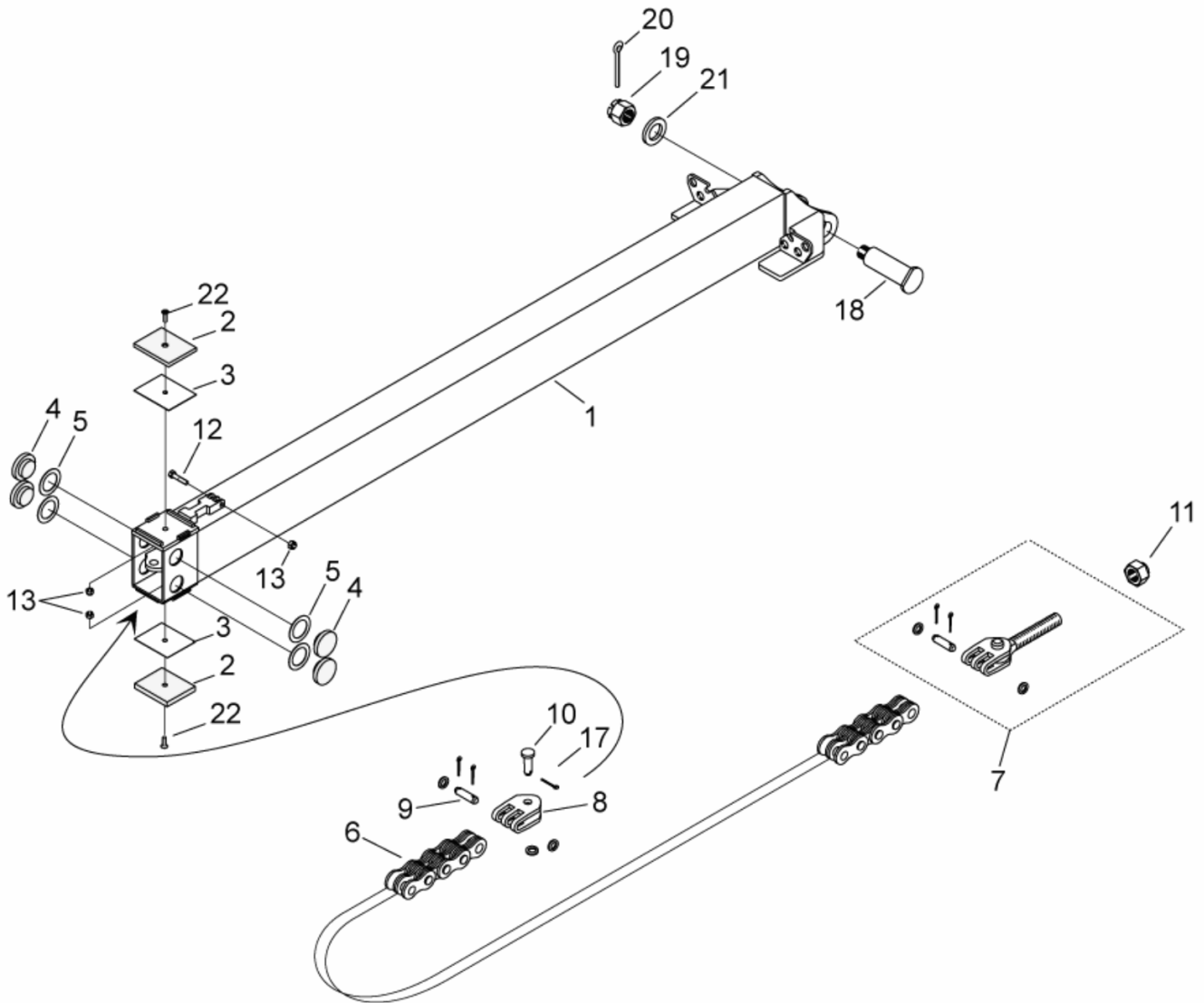


Pos	Part No	Description EN	Description DE	Description FR	Quantity
1	94242513	BOOM EXTENSION,1	SCHUBARM 1		1
2	94233540	SHAFT	WELLE	AXE	2
3	94233539	ROLLER	BLOCK	BLOCK	2
4	61313045	BEARING BUSHING	LAGERBUCHSE	BAGUE	2
5	94241852	FLANGE	FLANSCH	BRIDE	2
6	94241546	Washer	SCHEIBE	RONDELLE	2
7	67411010	GREASE NIPPLE	SCHMIERNIPPEL	GRAISSEUR	2
8	94230425	SLIDE PAD	GLEITKLOTZ	CALE DE GUIDAGE	1
9	94230634	Tight-fitting plate	BEFESTIGUNGSPLATTE	PLAQUE	0
10	94230550	Slide pad	GLEITPLATTE	CALE DE GUIDAGE	2
11	94230638	Tight-fitting plate	BEFESTIGUNGSPLATTE	PLAQUE	0
12	94230600	SLIDE PAD	GLEITPLATTE	CALE DE GUIDAGE	3
13	94230632	Tight-fitting plate	BEFESTIGUNGSPLATTE	PLAQUE	0
14	94242545	Slide pad	GLEITPLATTE	CALE DE GUIDAGE	1
15	94242546	Tight-fitting plate	BEFESTIGUNGSPLATTE	PLAQUE	0
16	94242540	Bearing housing	LAGERGEHÄUSE	CARTER	1
17	94230552	Slide pad	GLEITPLATTE	CALE DE GUIDAGE	1
18	94230637	Tight-fitting plate	BEFESTIGUNGSPLATTE	PLAQUE	0
19	94230551	Bearing housing	LAGERGEHÄUSE	CARTER	1
20	45635080	HEXAGON SOCKET HEAD CAP SCRE	SECHSKANTSCHRAUBENSATZ	VIS	4
21	54200123	Spring washer	FEDERSCHEIBE	RONDELLE ELASTIQUE	4
22	94232426	Slide pad	GLEITPLATTE	CALE DE GUIDAGE	4
23	94242442	BEARING COVER	LAGERGEHÄUSE	CARTER	4
24	40263230	HEXAGON HEAD SCREW	SECHSKANTSCHRAUBE	VIS	4
25	41263560	HEXAGON HEAD SCREW	SECHSKANTSCHRAUBE	VIS	1
26	46023308	SELF-LOCKING HEXAGON NUT	SECHSKANTMUTTER	ECROU HEXAGONAL	2
27	94565523	SUPPORT BRACKET	STÜTZPLATTE	SUPPORT	1
28	41264140	HEXAGON HEAD SCREW	SECHSKANTSCHRAUBE	VIS	4
29	46023310	SELF-LOCKING HEXAGON NUT	SECHSKANTMUTTER	ECROU HEXAGONAL	4
30	46023306	SELF-LOCKING HEXAGON NUT	SECHSKANTMUTTER	ECROU HEXAGONAL	4
34	94241545	LOCK SCREW	VERRIEGELUNGSSCHRAUBE	BROCHE DE VERROUILLAGE	2
35	45694430	SOCKET COUNTERSUNK HEAD CAP :	SECHSKANTSCHRAUBENSATZ	VIS	1
50	94236931	SPANNER	WERKZEUGE	OUTILS	0
51	94263940	PIN		GOUPILLE	0
	304.241.1	Boom extension 2 No 82051-, 96051-	Ausschubarm 1 No 82051-, 96051-	Extention du bras 1 No 82051-, 96051-	0

Model:97037

Chapter

3042421 - Boom extension L=2317 / FT 96 S

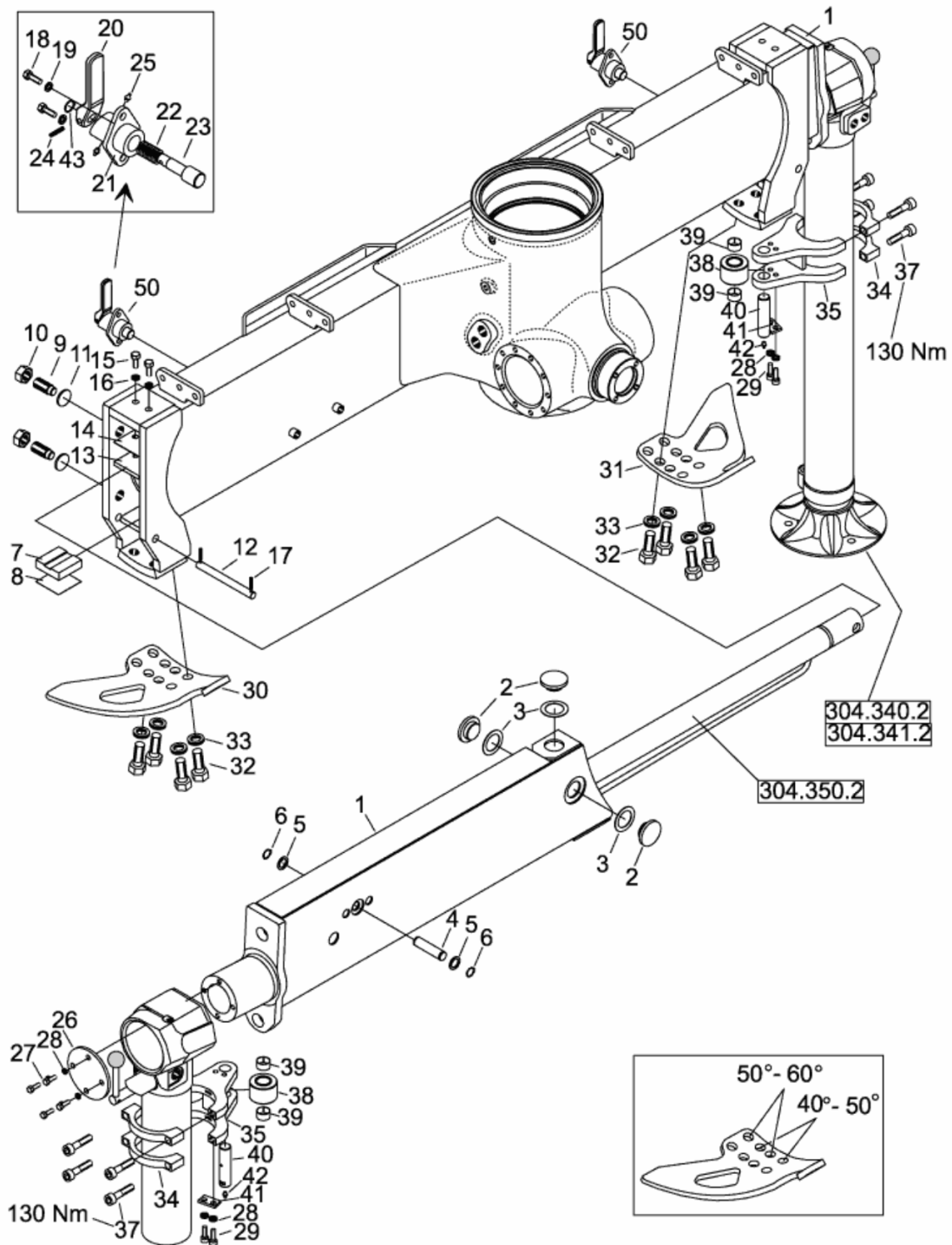


Pos	Part No	Description EN	Description DE	Description FR	Quantity
1	94564524	BOOM EXTENSION	HUBARMVERLÄNGERUNG	EXTENSION	1
2	94230604	Slide pad	GLEITPLATTE	CALE DE GUIDAGE	2
3	94230635	Tight-fitting plate	BEFESTIGUNGSPLATTE	PLAQUE	0
4	94230600	SLIDE PAD	GLEITPLATTE	CALE DE GUIDAGE	4
5	94230632	Tight-fitting plate	BEFESTIGUNGSPLATTE	PLAQUE	0
6	67627050	FLEYER CHAIN	KETTE	CHAINE	1
7	67627106	FASTENING	BEFESTIGUNG	FERMETURE	1
8	67627113	U-yoke	U-GABEL	LIEN	1
9	67627151	CLEVIS PIN	VERBINDUNGSBOLZEN		1
10	94242548	Pin	STIFT	GOUPILLE	1
11	46023320	SELF-LOCKING HEXAGON NUT	SECHSKANTMUTTER	ECROU HEXAGONAL	1
12	45623700	HEXAGON SOCKET HEAD CAP SCRE	SECHSKANTSCHRAUBENSATZ	VIS	1
13	46023308	SELF-LOCKING HEXAGON NUT	SECHSKANTMUTTER	ECROU HEXAGONAL	3
17	54742130	Split pin	SPLINTBOLZEN	GOUJON	1
18	94241667	Shaft	WELLE	AXE	1
19	47990300	CASTLE NUT	SECHSKANTHUTMUTTER	VIS	1
20	54743300	Split pin	SPLINTBOLZEN	GOUJON	1
21	54060333	PLAIN WASHER	SCHEIBE	RONDELLE	1
22	45694430	SOCKET COUNTERSUNK HEAD CAP	SECHSKANTSCHRAUBENSATZ	VIS	2
304.242.1		Boom extension 2 No 82051-, 96051-	Ausschubarm 1 No 82051-, 96051-	Extention du bras 1 No 82051-, 96051-	0

Model:97037

Chapter

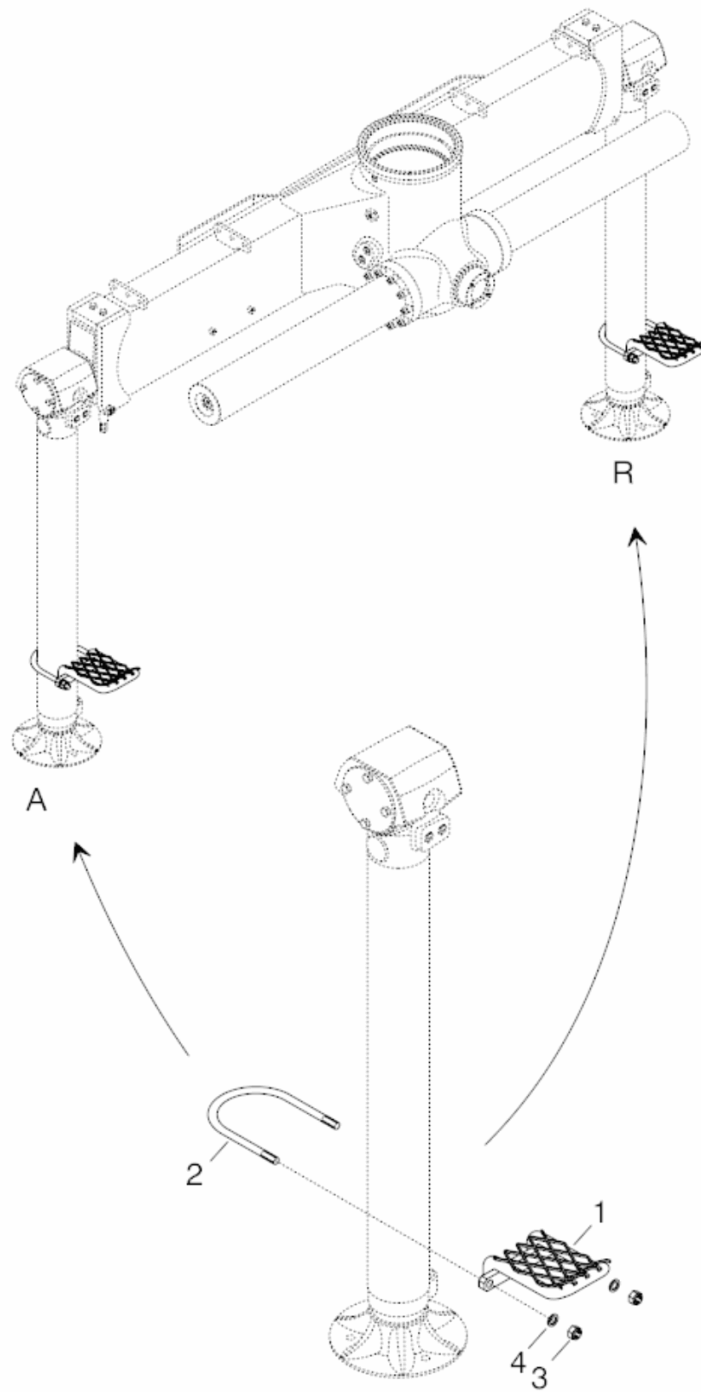
3042504 - Stabilizers



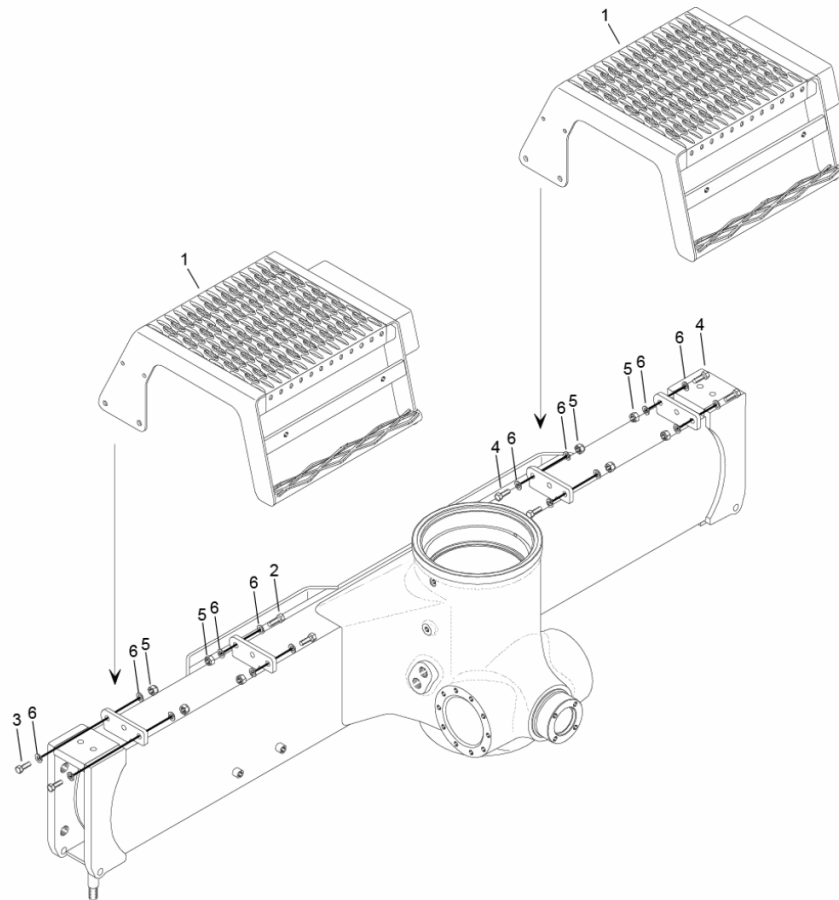
Pos	Part No	Description EN	Description DE	Description FR	Quantity
1	304921	Stabilizer extension	Stützarm	Extention stabilisateur	2
2	3549119	Bearing	Lager	Palier	6
3	94230632	Tight-fitting plate	Passblech	Plaque d'ajustement	0
4	3549135	Shaft	Achse	Axe	2
5	54060322	Washer M20 sink., ISO 7091	Unterlagscheibe M20 sink., ISO 7091	Rondelle M20 sink., ISO 7091	4
6	54330200	Circlip 20x1,2, DIN 471	Sicherungsring 20x1,2, DIN 471	Circlips 20x1,2, DIN 471	4
7	304135	Bearing plate	Lagerblech	Disque à pression	2
8	304136	Tight-fitting plate	Passblech	Plaque d'ajustement	0
9	48115240	Set screw M 24x60 45H Delta Protekt m	Gewindestift M 24x60 45H Delta Protekt	Vis d'arrêt M 24x60 45H Delta Protekt m	4
10	46332124	Hexagon nut M 24 m 8 A2L, DIN 934	Sechskantmutter M 24 m 8 A2L, DIN 934	Ecrou hexagonal M 24 m 8 A2L, DIN 934	4
11	94241126	Tile	Platte	Carreau	4
12	304679	pin	Zapfen	Axe	2
13	304137	Plate	Blech	Plaque	2
14	3603679	Tight-fitting plate	Passblech	Plaque d'ajustement	0
15	41265100	Hexagon screw M12x 30 8.8 A2L, DIN 9	Sechskantschraube M12x 30 8.8 A2L, D	Vis hexagonale M12x 30 8.8 A2L, DIN 9	4
16	54201212	Lock washer	Fächerscheibe	Rondelle d'arrêt	4
17	54773126	Spring cotter 6x26, DIN 1481	Spannhülse 6x26, DIN 1481	Clavette fendue 6x26, DIN 1481	4
18	41263560	Hexagon screw M 8x 16 8.8 A2L, DIN 93	Sechskantschraube M 8x 16 8.8 A2L, DI	Vis hexagonale M 8x 16 8.8 A2L, DIN 93	4
19	54201208	Lock washer	Fächerscheibe	Rondelle d'arrêt	4
20	3076547	Hand lever	Hebel	Manette	2
21	3097111	Housing of bolt	Riegelgehäuse	Corps de boulon	2
22	3069206	Spring	Feder	Ressort	2
23	3076598	Lock pin	Riegelzapfen	Goujon de verrouillage	2
24	54772650	Spring cotter 5x30, DIN 1481	Spannhülse 5x30, DIN 1481	Clavette fendue 5x30, DIN 1481	2
25	67411080	Grease nipple	Schmiernippel	Graisser	2
26	94259177	Flange	Flansch	Bride	2
27	41264080	Hexagon screw M10x 20 8.8 A2L, SFS-I	Sechskantschraube M10x 20 8.8 A2L, S	Vis hexagonale M10x 20 8.8 A2L, SFS-I	8
28	54201210	Lock washer	Fächerscheibe	Rondelle d'arrêt	12
29	45634089	Socket head cap screw M10 x 20 8.8 A2	Innensechskantschraube M10 x 20 8.8 A	Vis à six pans creux M10 x 20 8.8 A2L, 5	4
30	304914	Plate	Blech	Plaque	1
31	304915	Plate	Blech	Plaque	1
32	41266628	Hexagon screw M20x 40 8.8 A2L, SFS-I	Sechskantschraube M20x 40 8.8 A2L, S	Vis hexagonale M20x 40 8.8 A2L, SFS-I	8
33	54201200	Lock washer	Fächerscheibe	Rondelle d'arrêt	8
34	304910	Bail	Bügel	Anse	4
35	304903	Fastening	Halter	Fixation	2
37	45605300	Socket head cap screw M14 x 60 8.8 A2	Innensechskantschraube M14 x 60 8.8 A	Vis à six pans creux M14 x 60 8.8 A2L,	8
38	304908	Roller	Rolle	Rouleau	2
39	61312031	Bearing bush	Lagerbuchse	Coussinet	4
40	304909	Shaft	Achse	Axe	2
41	304911	Flat bar	Plattstange	Acier plat	2
42	67411010	Grease nipple	Schmiernippel	Graisser	2
43	9928791	Circlip 14x1, DIN 471	Sicherungsring 14x1, DIN 471	Circlips 14x1, DIN 471	2
	3042504	Stabilizers 7 No 82164-, 96364			0
Kit 3097102 Bolt assy:		Riegel komplett		Verrouillage complet	
20	3076547	Hand lever	Hebel	Manette	1
21	3097111	Housing of bolt	Riegelgehäuse	Corps de boulon	1
22	3069206	Spring	Feder	Ressort	1
23	3076598	Lock pin	Riegelzapfen	Goujon de verrouillage	1
25	67411080	Grease nipple	Schmiernippel	Graisser	2
43	9928791	Circlip 14x1, DIN 471	Sicherungsring 14x1, DIN 471	Circlips 14x1, DIN 471	1

Model:97037
Chapter

3042541 - Step



Pos	Part No	Description EN	Description DE	Description FR	Quantity
1	304617	Step	Tritt	Marchepied	1
2	304623	Adhesive	Klemme	Attache	1
3	46023310	Self-locking hexagon nut M 10 8	Sechskantmutter, selbstsichernd M 10 8	Ecrou hexagonal autoblocant M 10 8	2
4	54020011	Washer M 10	Scheibe M 10	Rondelle M 10	2

Model:97037
Chapter**3042651 - Service stairs**

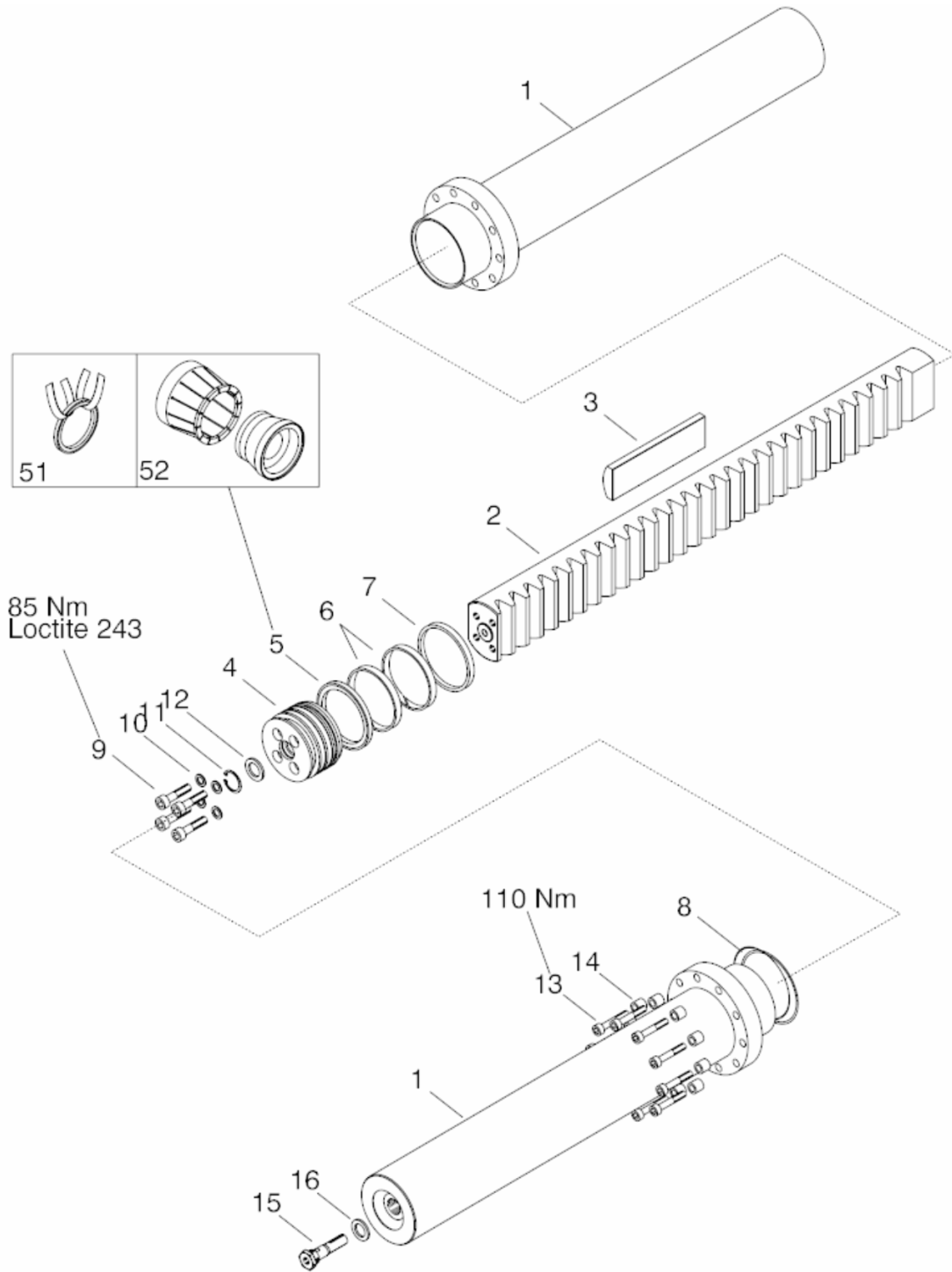
3042651_3

Pos	Part No	Description EN	Description DE	Description FR	Quantity
1	94565176	Service stair	Trittrost	Plates-formes d'entretien	2
2	9924361	HEXAGON HEAD SCREW	SCHRAUBE	VIS	2
3	9900527	HEXAGON HEAD SCREW	SCHRAUBE	VIS	2
4	9910638	HEXAGON HEAD SCREW	SCHRAUBE	VIS	4
5	9953523	LOCKING NUT	VERRIEGELUNGSMUTTER	ECROU DE VERROUILLAGE	8
6	9914129	PLAIN WASHER	SCHEIBE	RONDELLE M12	16

Model:97037

Chapter

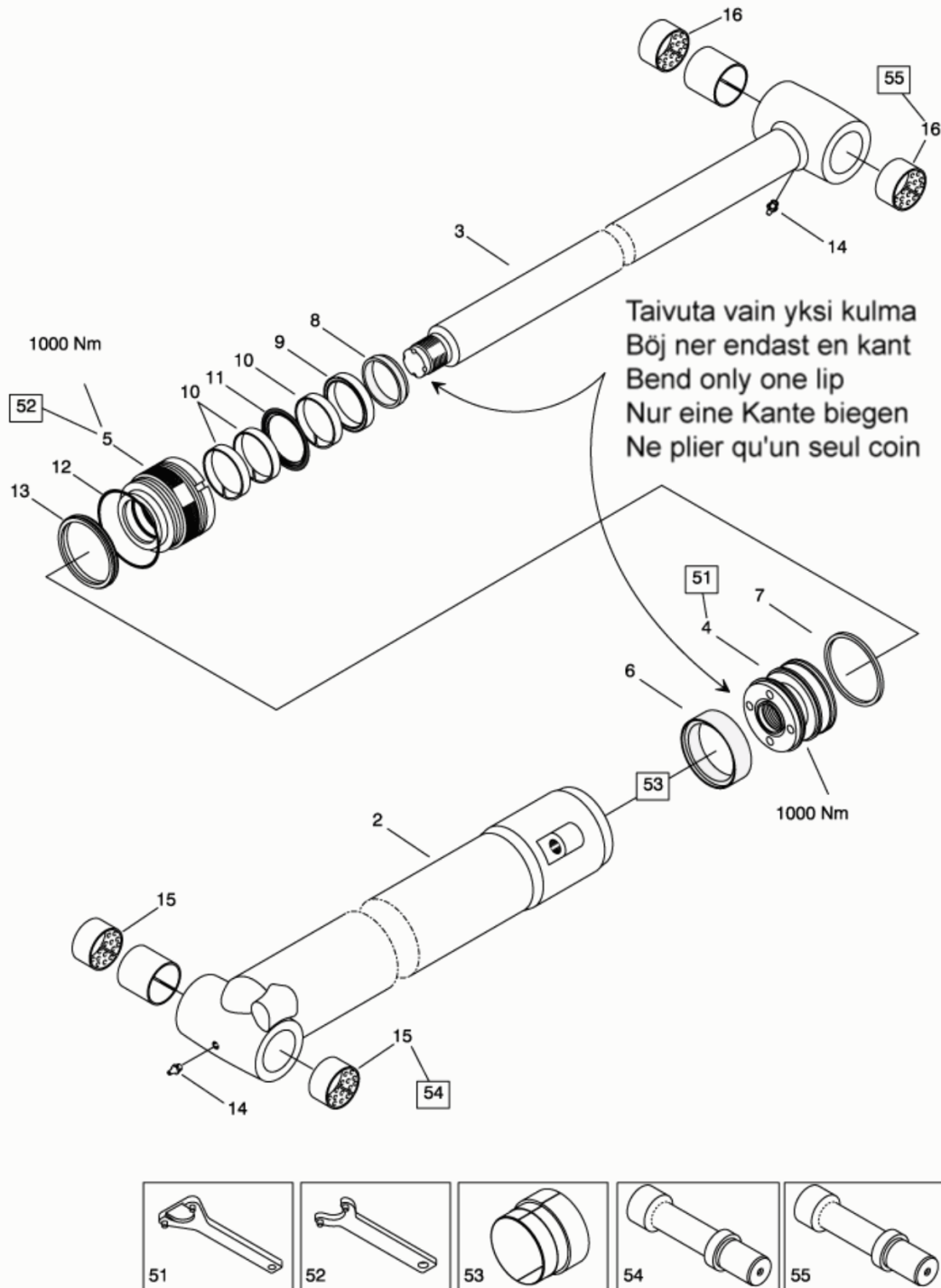
3043011 - Slewing system $\varnothing 110-724 / 415^\circ$



Pos	Part No	Description EN	Description DE	Description FR	Quantity
1	304800	Slewing cylinder	Schwenkzylinder	Vérin de rotation	2
2	304801	Rack bar	Zahnstange	Cremaillère	1
3	304803	Step bearing	Stützlager	Support de palier	1
4	94280846	Piston	Kolben	Piston	2
5	82356110	Piston seal	Kolbendichtung	Joint de piston	2
6	82357143	Locating ring	Führungsring	Bague de centrage	4
7	82355200	Wiper ring	Abstreifring	Racleur	2
8	82368180	O-ring 117,07x3,55	O-Ring 117,07x3,55	Joint torique 117,07x3,55	2
9	45605189	Socket head cap screw M 12 x 60 8.8	Innensechskantschraube M 12 x 60 8.8	Vis à tête six pans M 12 x 60 8.8	8
10	82371017	Seal ring	Dichtungsring	Bague d'étanchéité	8
11	54332300	Circlip 30x1,2	Sicherungsring 30x1,2	Circlips 30x1,2	2
12	94252521	Throttle ring	Drosselring	Bague d'étranglement	2
13	45625220	Socket head cap screw M 12 x 70 12.9	Innensechskantschraube M 12 x 70 12.9	Vis à tête six pans M 12 x 70 12.9	20
14	94236857	Bushing	Buchse	Manchon	20
15	94565807	Throttle pin	Drosselzapfen	Goujon d'étranglement	2
16	82371833	Seal ring	Dichtungsring	Bague d'étanchéité	2
51	94236981	Installation band Ø100	Montageband Ø100	Bride de montage Ø100	0
52	94236967	Tools for mounting seal Ø100	Werkzeuge für Mont. der Dicht. Ø100	Jeu d'outils pour le montage de joint Ø100	0
Kit 304804 Seal kit:			Dichtungssatz	Jeu d'étanchéité	
5	82356110	Piston seal	Kolbendichtung	Joint de piston	2
6	82357143	Locating ring	Führungsring	Bague de centrage	4
7	82355200	Wiper ring	Abstreifring	Racleur	2
8	82368180	O-ring 117,07x3,55	O-Ring 117,07x3,55	Joint torique 117,07x3,55	2

Model:97037
Chapter

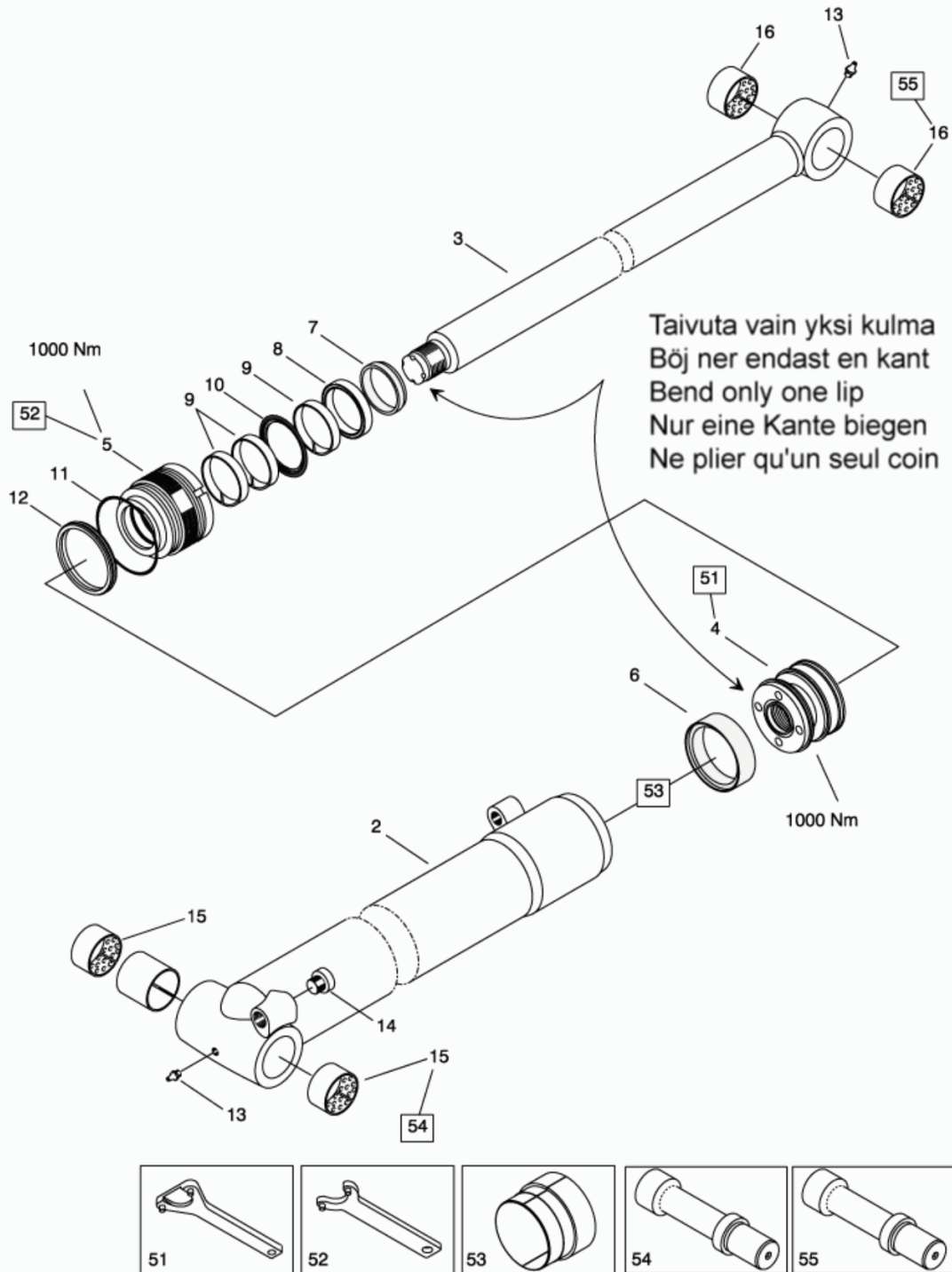
3043103 - First boom cylinder Ø125/70-720 / H=2162 / p=20,5/24 MPa



Pos	Part No	Description EN	Description DE	Description FR	Quantity
1	304889	First boom cylinder replaced by 112801	Hubzylinder	Vérin de levage	0
2		Cylinder tube			0
3		Piston rod			0
4		Piston			0
5	210686	Cylinder cover	Zylinderdeckel	Corps du vérin	1
7	210016	Piston ring	Kolbenring	Bague de piston	1
10	82357015	Locating ring	Führungsring	Bague de centrage	3
14	67411010	Grease nipple	Schmiernippel	Graisser	2
15	9969632	Bearing bush	Lagerbuchse	Coussinet	2
16	61313068	Bearing bush	Lagerbuchse	Coussinet	2
51	94236938	Spanner	Schlüssel	Clé	0
52	94263911	Spanner	Schlüssel	Clé	0
53	210250	Mounting tool	Montagewerkzeug	Outil de montage	0
54	94263941	Mandrel	Dorn	Mandrin	0
55	94263934	Mandrel	Dorn	Mandrin	0
Kit 210685 Seal assortment:		Dichtungssatz	Pochette de joints		
6		Seal	Dichtung	Joint	1
8		Wiper ring	Abstreifring	Bague racloir	1
9		Seal	Dichtung	Joint	1
11		Seal	Dichtung	Joint	1
12		O-ring	O-Ring	Joint torique	1
13		Seal	Dichtung	Joint	1

Model:97037
Chapter

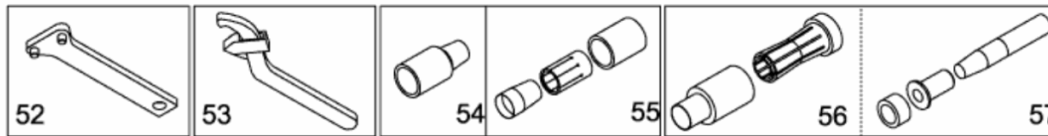
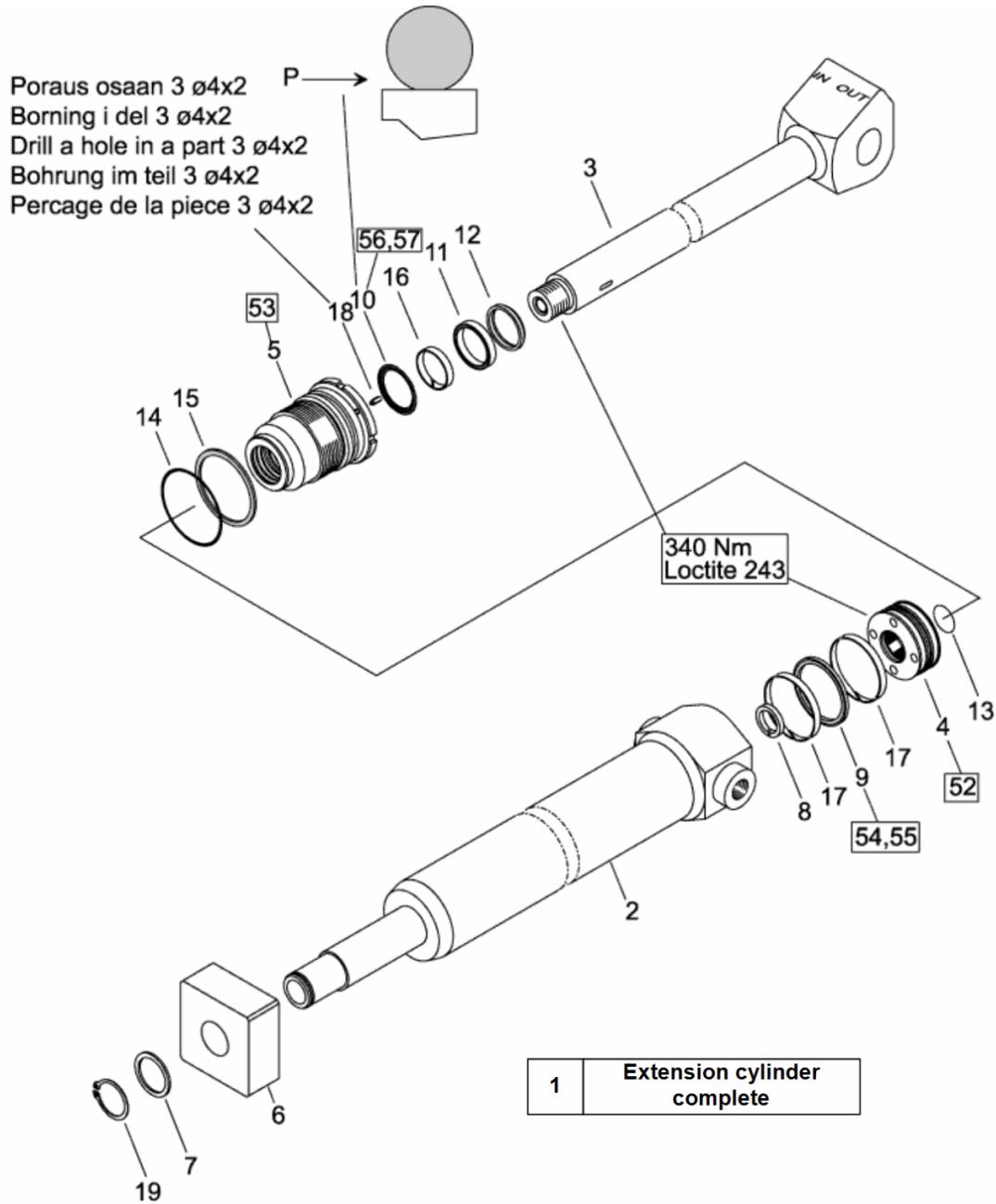
3043203 - Second boom cylinder Ø125/70-875 / p=20,5/24 MPa



Pos	Part No	Description EN	Description DE	Description FR	Quantity
1	304890	Second boom cylinder	Knickarmzylinder	Vérin du bras de basculement	0
2	304824	Cylinder tube assy	Zylinderrohr komplett	Chemise complète	1
3	304823	Piston rod assy	Kolbenstange komplett	Tige de piston complète	1
4	210013	Piston	Kolben	Piston	1
5	210686	Cylinder cover	Zylinderdeckel	Corps du vérin	1
9	82357015	Locating ring	Führungsring	Bague de centrage	3
13	67411010	Grease nipple	Schmiernippel	Graisseur	2
14	30679408	Plug	Pfropfen	Bouchon	1
15	9969632	Bearing bush	Lagerbuchse	Coussinet	2
16	61313068	Bearing bush	Lagerbuchse	Coussinet	2
51	94236938	Spanner	Schlüssel	Clé	0
52	94263911	Spanner	Schlüssel	Clé	0
53	210250	Mounting tool	Montagewerkzeug	Outil de montage	0
54	94263941	Mandrel	Dorn	Mandrin	0
55	94263934	Mandrel	Dorn	Mandrin	0
	304.320.3	Second boom cylinder 1 No 82225-, 964	Knickarmzylinder 1 No 82225-, 96473-	Vérin du bras de basculement 1 No 82225-, 96473-	0
Kit 210685 Seal assortment:		Dichtungssatz		Pochette de joints	
6	9804196	Seal	Dichtung	Joint	1
7	9808523	Wiper ring	Abstreifring	Bague racloir	1
8	82357097	Seal	Dichtung	Joint	1
10	82379670	Seal	Dichtung	Joint	1
11	82368235	O-ring	O-Ring	Joint torique	1
12	82366805	Seal	Dichtung	Joint	1

Model:97037
Chapter

3043331 - Extension cylinder, Ø70/40-1600 / p=20,5 / 24 MPa / FT 96 S / T10



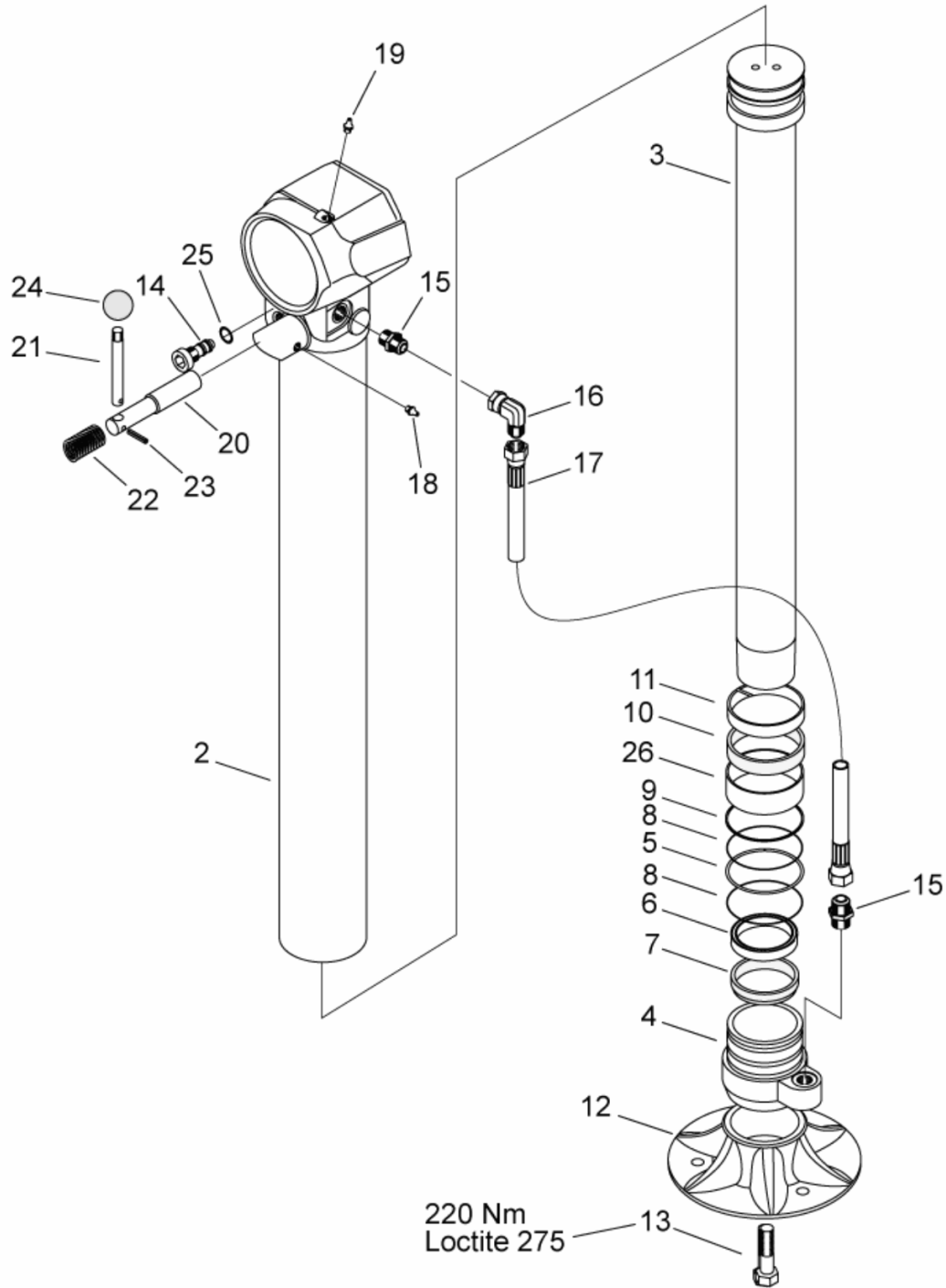
3043331_2

Pos	Part No	Description EN	Description DE	Description FR	Quantity
1	94564800	Extension cylinder	Schubarmzylinder	Vérin d'extension	0
2	94564801	Cylinder tube	Zylinderrohr	Chemise	1
3	94564802	Piston rod	Kolbenstange	Tige de piston	1
4	94246872	Piston	Kolben	Piston	1
5	94246870	Cylinder cover	Zylinderdeckel	Corps du vérin	1
6	94242838	Support	Stütze	Support	1
7	94255150	Distance ring	Distanzring	Entretoise	1
8	94565887	Lock ring			1
18	48083050	Set screw M 6x12 45H, DIN 914	Gewindestift M 6x12 45H, DIN 914	Vis d'arrêt M 6x12 45H, DIN 914	1
19	54330350	Circlip 35x1,5, DIN 471	Sicherungsring 35x1,5, DIN 471	Circlips 35x1,5, DIN 471	1
52	94236965	Spanner	Schlüssel	Clé	0
53	65206465	Spanner wrench	Hakenschlüssel	Clé anglaise	0
54	94236980	Tool for mounting seal	Werkzeug für Mont. der Dicht.	Outil de montage du joint	0
55	94236979	Tools for mounting seal	Werkzeuge für Mont. der Dicht.	Jeu d'outils pour le montage du joint	0
56	94236963	Tools for mounting seal	Werkzeuge für Mont. der Dicht.	Jeu d'outils pour le montage du joint	0
57	94236952	Tool for calibration of seal	Werkzeuge für Kalibr. der Dicht.	Outils de calibrage du joint	0
	304.333.1	Extension cylinder 2 No 82051-, 96051-	Schubarmzylinder 1 No 82051-, 96051-	Vérin de télescope 1 No 82051-, 96051-	0
Kit 94246894 Seal assortment:		Dichtungssatz		Pochette de joints	
9	82375152	Seal	Dichtung	Joint	1
10	82379663	Seal	Dichtung	Joint	1
11	82377050	Seal	Dichtung	Joint	1
12	82371208	Wiper ring	Abstreifring	Bague racloir	1
13	82369408	O-ring 40,87x3,55 NBR SH/A 90,	O-Ring 40,87x3,55 NBR SH/A 90,	Joint torique 40,87x3,55 NBR SH/A 90,	1
14	82367694	O-ring 69,44x3,55 NBR SH/A 90,	O-Ring 69,44x3,55 NBR SH/A 90,	Joint torique 69,44x3,55 NBR SH/A 90,	1
15	54329014	Supporting ring	Stützring	Bague de support	1
16	82358004	Locating ring	Führungsring	Bague de centrage	1
17	82357133	Locating ring	Führungsring	Bague de centrage	2

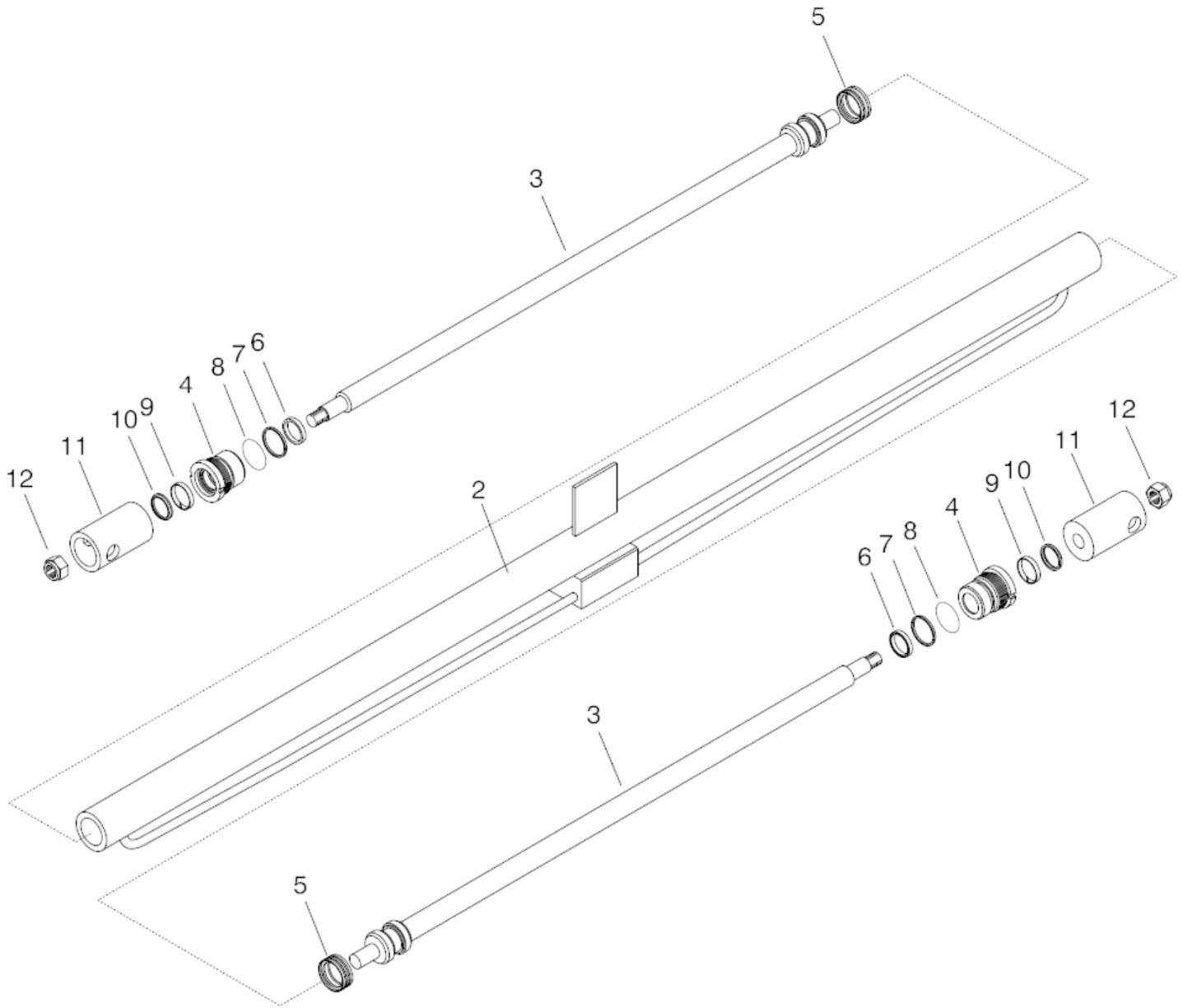
Model:97037

Chapter

3043402 - Stabilizer cylinder Ø90/70-750 / A / JIC



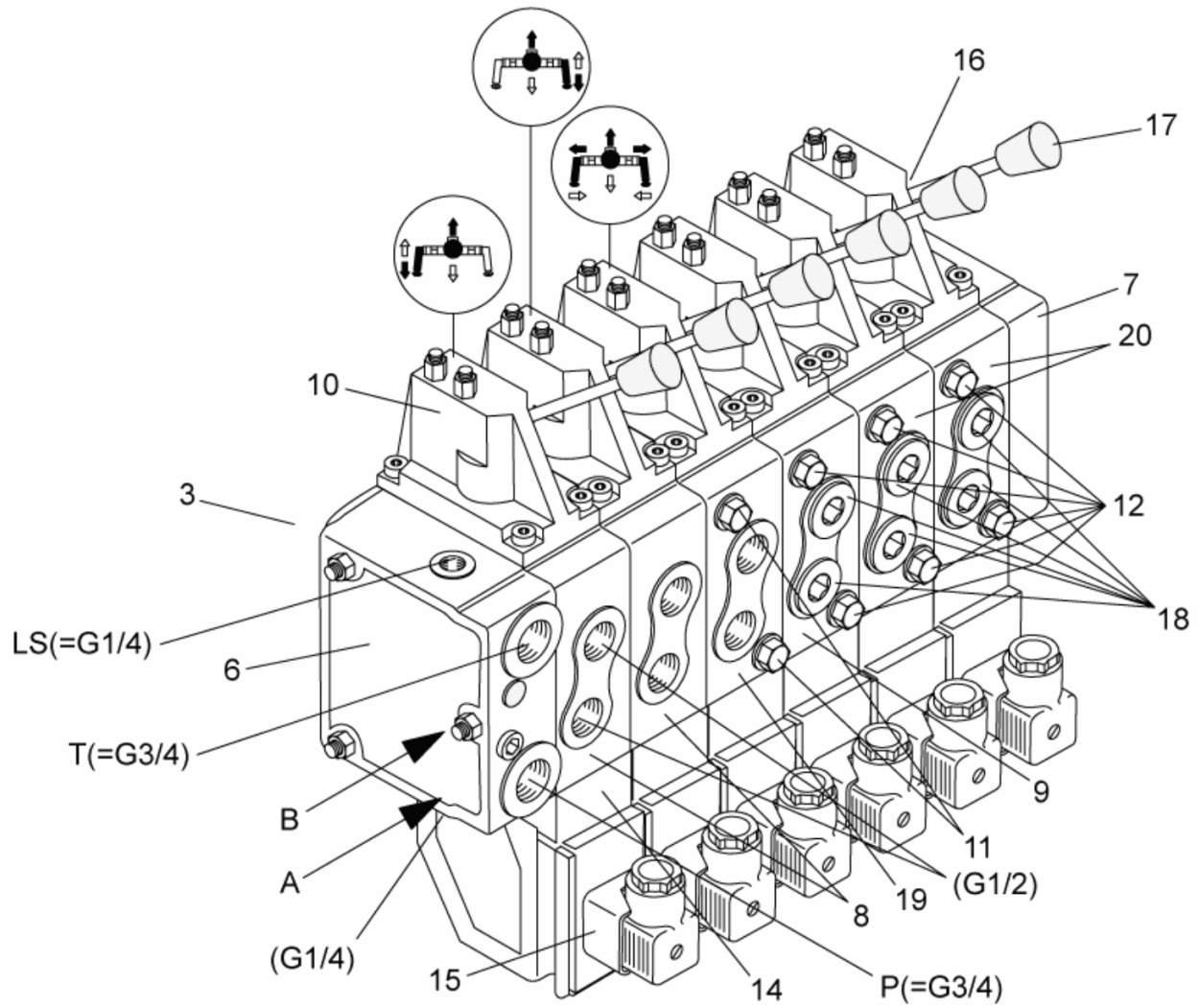
Pos	Part No	Description EN	Description DE	Description FR	Quantity
1	304877	Stabilizer cylinder	Stützbeinzylinder	Vérin du stabilisateur	0
2	304879	Cylinder tube	Zylinderrohr	Fût de vérin	1
3	304868	Piston rod	Kolbenstange	Tige de piston	1
4	3491544	Cylinder cover	Zylinderdeckel	Tête de vérin	1
5	3491552	Lock ring	Sicherungsring	Bague d'arrêt	1
6	9804129	Seal	Dichtung	Joint	1
7	9808523	Wiper ring	Abstreifring	Racleur	1
8	82367845	O-ring 84,5x3,0	O-Ring 84,5x3,0	Joint torique 84,5x3,0	2
9	9938826	Supporting ring	Stützring	Bague de support	1
10	9804188	Seal	Dichtung	Joint	1
11	9968059	Locating ring	Führungsring	Bague de centrage	1
12	3553833	Support plate	Stützblech	Plaque de support	1
13	40266201	Hexagon screw M 16 x 90 8.8	Sechskantschraube M 16 x 90 8.8	Vis hexagonale M 16 x 90 8.8	1
14	210043	Pilot check valve	Vorgesteuertes Rückschlagventil	Clapet de non-retour piloté	1
15	38710260	Male stud	Hauptverbindungsgehäuse	Goujon mâle	2
16	38710639	Coupling housing	Kupplungsgehäuse	Logement de raccord	1
17	215078	Hose P84-08-14/821LT-08/P84-08-14, L	Schlauch JIC 1/2" 0°/0° L= 885	Flexible JIC 1/2" 0°/0° L= 885	1
18	67411080	Grease nipple	Schmiernippel	Graisseur	1
19	67411010	Grease nipple	Schmiernippel	Graisseur	1
20	94259175	Lock pin	Riegelzapfen	Axe de verrouillage	1
21	94259056	Lever	Hebel	Levier	1
22	94255836	Spring	Feder	Ressort	1
23	54771090	Spring cotter 3x18	Spannhülse 3x18	Ressort fendue 3x18	1
24	69491030	Ball knob	Kugelknopf	Boule sphérique	1
25	82367200	O-ring 20,22x3,53	O-Ring 20,22x3,53	Joint torique 20,22x3,53	1
26	3491561	Bushing	Buchse	Manchon	1
51	210679	Seal kit	Dichtungssatz	Jeu d'étanchéité	0
Kit 304862 Seal kit:			Dichtungssatz	Jeu d'étanchéité	
6	9804129	Seal	Dichtung	Joint	1
7	9808523	Wiper ring	Abstreifring	Racleur	1
8	82367845	O-ring 84,5x3,0	O-Ring 84,5x3,0	Joint torique 84,5x3,0	2
9	9938826	Supporting ring	Stützring	Bague de support	1
10	9804188	Seal	Dichtung	Joint	1

Model:97037
Chapter**3043502 - Stabilizer extension cylinder Ø40/25-1164 / p=8 MPa**

Pos	Part No	Description EN	Description DE	Description FR	Quantity
1	3547973	Stabilizer extension cylinder	Stützarmzylinder	Vérin d'extension stabilisateur	0
2	3547965	Cylinder tube	Zylinderrohr	Fût de vérin	1
3	3508170	Piston rod	Kolbenstange	Tige de piston	2
4	3508285	Cylinder cover	Zylinderdeckel	Tête de vérin	2
5	9809503	Seal	Dichtung	Joint	2
6	9809511	Rod seal	Stieldichtung	Joint tige	2
7	9936742	Supporting ring	Stützring	Bague de support	2
8	9921435	O-ring 36,2x3,0	O-Ring 36,2x3,0	Joint torique 36,2x3,0	2
9	9961194	Locating ring	Führungsring	Bague de centrage	2
10	9914439	Wiper ring	Abstreifring	Racleur	2
11	3547981	Eye	Öse	Oeil	2
12	9967087	Locking nut	Gegenmutter	Contre-écrou	2
	304.350.2	Stabilizer extension cylinder 1 No 82052	Stützarmzylinder 1 No 82052-, 96055-	Vérin d'extension stabilisateur 1 No 82052	0
Kit 3301052 Seal kit:		Dichtungssatz		Jeu d'étanchéité	
5	9809503	Seal	Dichtung	Joint	2
6	9809511	Rod seal	Stieldichtung	Joint tige	2
7	9936742	Supporting ring	Stützring	Bague de support	2
8	9921435	O-ring 36,2x3,0	O-Ring 36,2x3,0	Joint torique 36,2x3,0	2
10	9914439	Wiper ring	Abstreifring	Racleur	2

Model:97037
Chapter

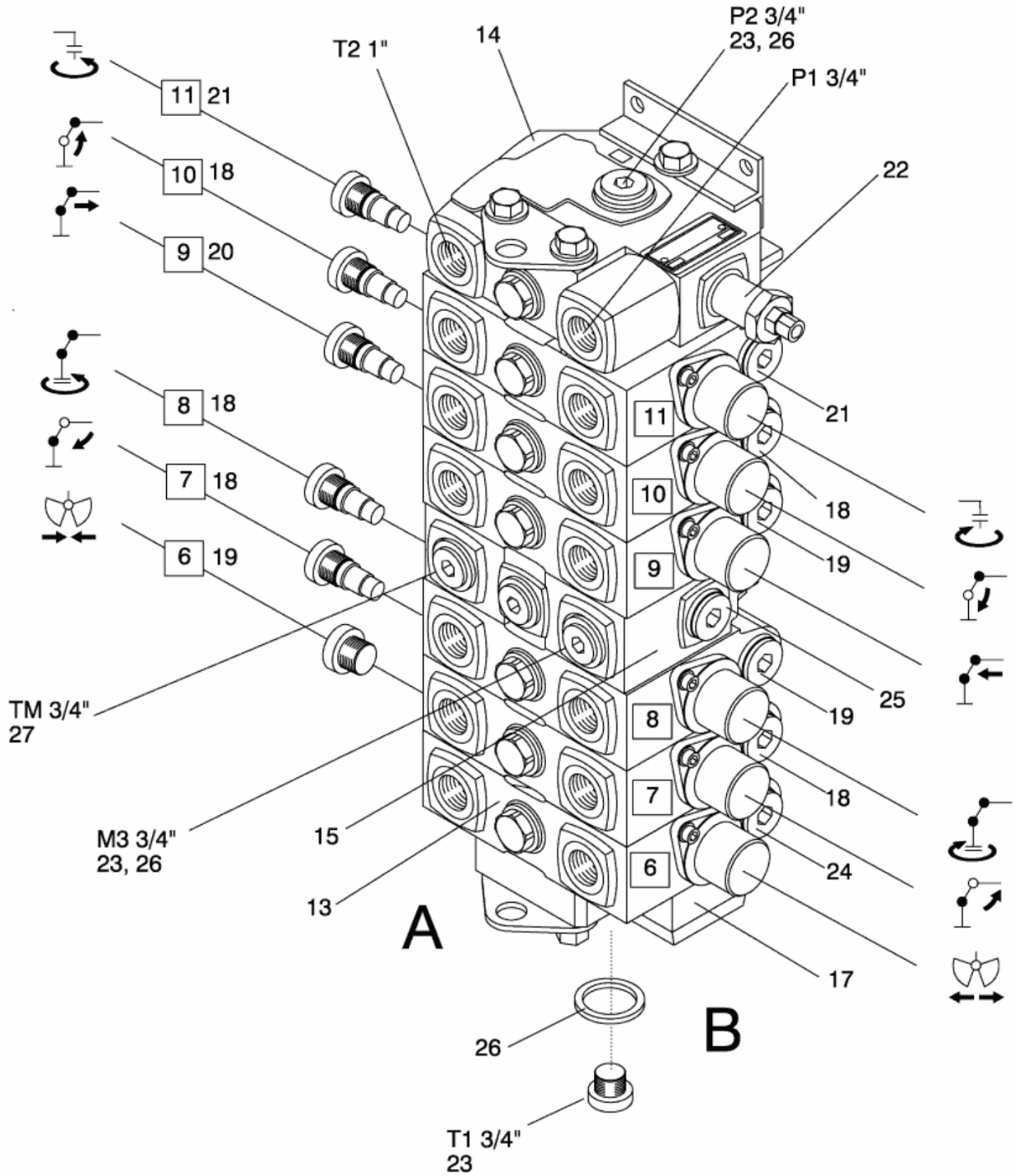
3044263 - Stabilizer valve PVG 32/6 / E



Pos	Part No	Description EN	Description DE	Description FR	Quantity
3	210431	Control valve	Steuerschieber	Distributeur	1
6	38103600	Inlet cover	Einlassdeckel	Couvercle d'arrivée	1
7	210402	Deck	Deckel	Plate forme	1
8	38103601	Section and spool	Block und Spindel	Section et tiroir	2
9	38103670	Section and spool	Block und Spindel	Section et tiroir	1
10	38103639	Casing	Gehäuse	Logement	6
11	210141	Pressure relief valve 14 MPa	Druckbegrenzungsventil 14 MPa	Soupape de sécurité 14 MPa	2
12	210142	Pressure relief valve 21 MPa	Druckbegrenzungsventil 21 MPa	Soupape de sécurité 21 MPa	6
14	210143	Electrical activating unit	Elektrisches Steuergerät	Demarreur électrique	6
15	38103606	Electric plug	Elektrischer Anschluss	Bouton électrique	6
16	38103641	Connecting bushing	Verbindungsstück	Raccord de connection	6
17	38103640	Control lever	Steuerhebel	Levier de commande	6
18	30679408	Plug	Stopfen	Bouchon	6
19	210331	Section and spool	Block und Spindel	Section et tiroir	1
20	210140	Section and spool	Block und Spindel	Section et tiroir	2

Model:97037
Chapter

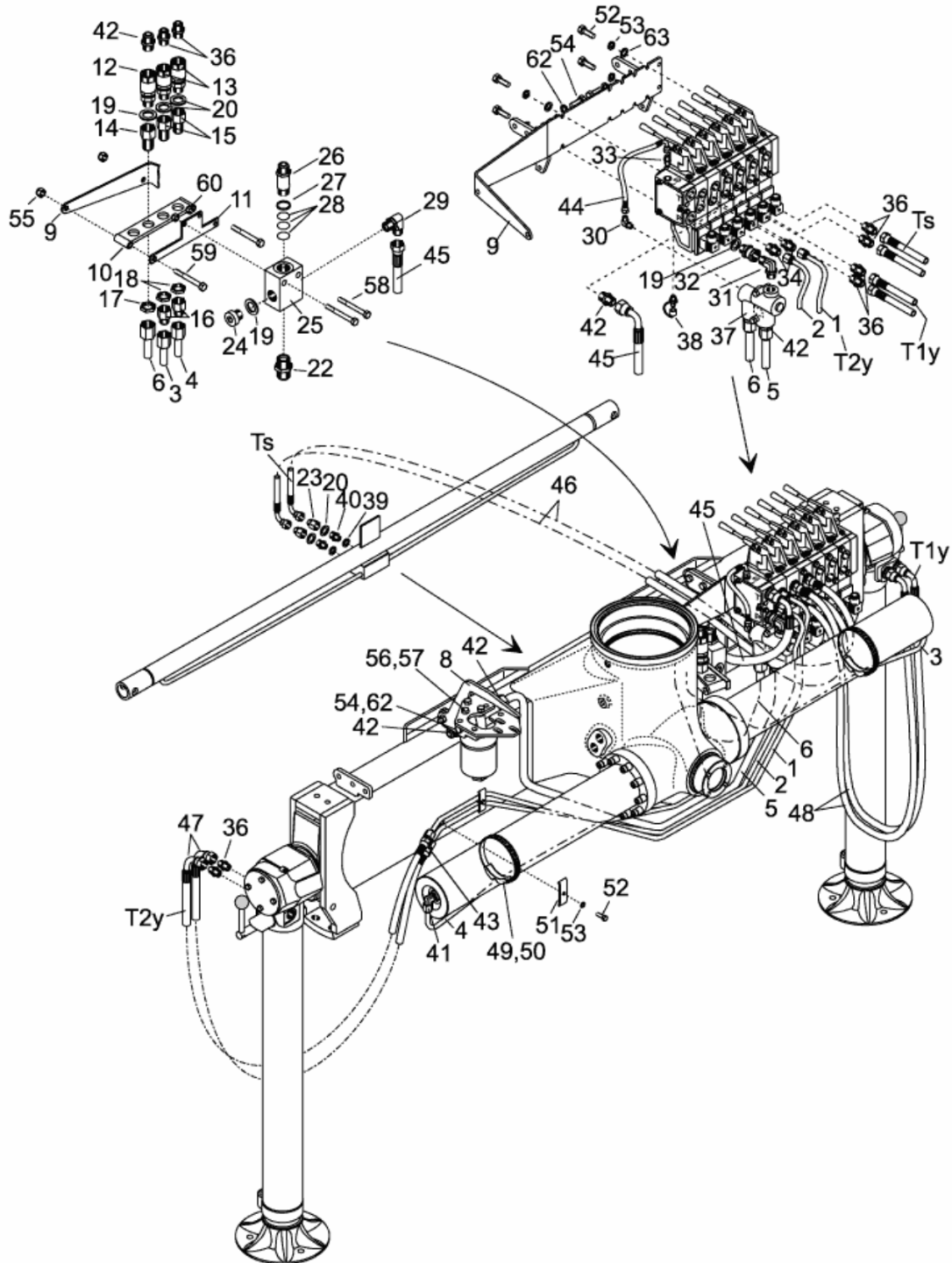
3044541 - Control valve 1 / 1 / 4 / F 130 CF-N



Pos	Part No	Description EN	Description DE	Description FR	Quantity
1	304795	Control valve	Steuerschieber	Distributeur	1
6	210104	Spool	Spindel	Tiroir	1
7	210100	Spool	Spindel	Tiroir	1
8	210101	Spool	Spindel	Tiroir	1
9	210101	Spool	Spindel	Tiroir	1
10	210103	Spool	Spindel	Tiroir	1
11	210101	Spool	Spindel	Tiroir	1
13	210110	Section	Block	Section	6
14	210111	Income section	Einlassblock	Section d'admission	1
15	210113	Midinlet section	Mitteleinlassektion	Section d'entrée moyenne	1
17	210114	Outlet section	Auslassdeckel	Section de sortie	1
18	210120	Pressure relief valve	Druckbegrenzungsventil	Soupape de sûreté	5
19	210124	Plug	Pfropfen	Bouchon	3
20	210123	Pressure relief valve	Druckbegrenzungsventil	Soupape de sûreté	1
21	38180508	Pressure relief valve	Druckbegrenzungsventil	Soupape de sûreté	2
22	210119	Main pressure relief valve	Hauptdruckbegrenzungsventil	Soupape de sûreté principale	1
23	38100645	Plug	Pfropfen	Bouchon	3
24	38180540	Plug	Pfropfen	Bouchon	1
25	38180549	Plug	Pfropfen	Bouchon	1
26	82371827	Seal ring	Dichtungsring	Bague d'étanchéité	3
27	30679319	Plug	Pfropfen	Bouchon	1
	3044541	Control valve 2 No 96051-			0

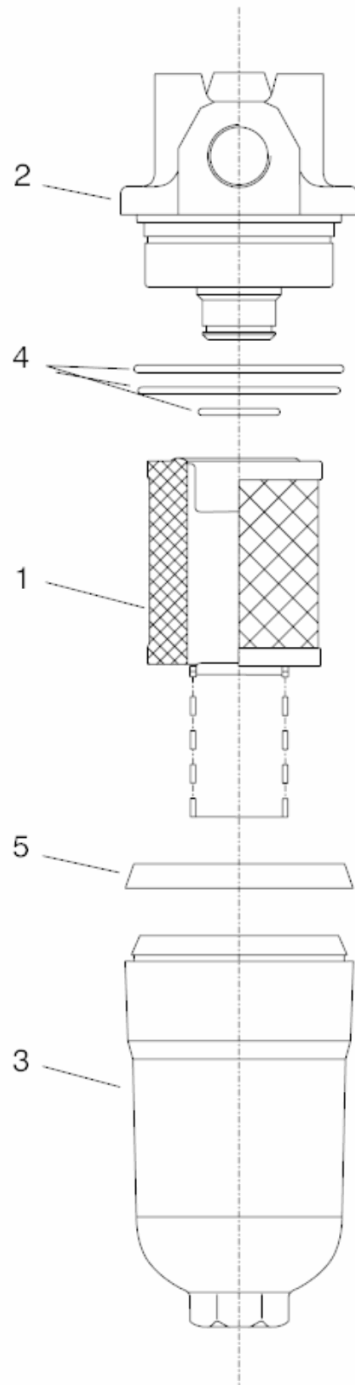
Model:97037
Chapter

3045011 - Hydraulic tubings at base, 1 / JIC / PVG 32 / 3-6-k



Pos	Part No	Description EN	Description DE	Description FR	Quantity
1	304737	Pipe assy	Rohr komplett	Tuyau complet	1
2	304738	Pipe assy	Rohr komplett	Tuyau complet	1
3	304739	Pipe assy	Rohr komplett	Tuyau complet	1
4	304740	Pipe assy	Rohr komplett	Tuyau complet	1
5	304741	Pipe assy	Rohr komplett	Tuyau complet	1
6	304742	Pipe assy	Rohr komplett	Tuyau complet	1
8	304150	Filter console	Filterhalter	Console filtre	1
9	304145	Console	Konsole	Console	1
10	94246155	Fastener	Klemme	Bride	1
11	94246154	Fastener	Klemme	Bride	1
12	38730053	Swivel joint	Drehgelenk	Raccord tournant	1
13	38730054	Swivel joint	Drehgelenk	Raccord tournant	2
14	211839	Bulkhead fitting	Durchgangsnippel	Raccord de cloison	1
15	211838	Bulkhead fitting	Durchgangsnippel	Raccord de cloison	2
16	38710719	Coupling housing	Kupplungsgehäuse	Logement de raccord	2
17	9831428	Locking nut	Gegenmutter	Contre-écrou	1
18	9816623	Locking nut	Gegenmutter	Contre-écrou	2
19	82371826	Seal ring	Dichtungsring	Bague d'étanchéité	3
20	82371821	Seal ring	Dichtungsring	Bague d'étanchéité	4
22	38710271	Male stud	Hauptverbindungsgehäuse	Goujon mâle	1
23	38710365	Male stud	Hauptverbindungsgehäuse	Goujon mâle	2
24	38100645	Plug	Pfropfen	Bouchon	1
25	94236893	Housing	Gehäuse	Corps	1
26	3624587	Spool	Spindel	Tiroir	1
27	82371105	Wiper ring	Abstreifring	Bague racloir	1
28	82367352	O-ring 35,2x3 NBR SH/A 70,	O-Ring 35,2x3 NBR SH/A 70,	Joint torique 35,2x3 NBR SH/A 70,	3
29	38710320	Male stud	Hauptverbindungsgehäuse	Goujon mâle	1
30	38710315	Male stud	Hauptverbindungsgehäuse	Goujon mâle	1
31	38750103	Angle nipple	Winkelnippel	Raccord coudé	1
32	94381998	Connecting nipple	Verbindungs-nippel	Graisser	1
33	38710255	Male stud	Hauptverbindungsgehäuse	Goujon mâle	1
34	38710257	Male stud	Hauptverbindungsgehäuse	Goujon mâle	2
36	38710260	Male stud	Hauptverbindungsgehäuse	Goujon mâle	10
37	94241902	Priority valve	Prioritätventil	Vanne de priorité	1
38	38450001	Pressure gauge adapter	Manometernippel	Raccord de manomètre	1
39	82371013	Seal ring	Dichtungsring	Bague d'étanchéité	2
40	38750025	Double reducing nipple	Doppelreduziernippel	Graisser	2
41	38710316	Male stud	Hauptverbindungsgehäuse	Goujon mâle	2
42	38710263	Male stud	Hauptverbindungsgehäuse	Goujon mâle	6
43	38750029	Extention coupling housing	Kupplungsgehäuse	Corps de collier de serrage	2
44	215060	Hose P84-04-10/821LT-04/P49-04-10, L	Schlauch P84-04-10/821LT-04/P49-04-1	Flexible P84-04-10/821LT-04/P49-04-10	1
45	38622628	Hose P84-12-17/821LT-12/P49-12-17, L	Schlauch P84-12-17/821LT-12/P49-12-1	Flexible P84-12-17/821LT-12/P49-12-17	1
46	215012	Hose P84-08-14/821LT-08/P49-08-14, L	Schlauch P84-08-14/821LT-08/P49-08-1	Flexible P84-08-14/821LT-08/P49-08-14	2
47	38620343	Hose P84-08-14/821LT-08/P49-08-14, L	Schlauch P84-08-14/821LT-08/P49-08-1	Flexible P84-08-14/821LT-08/P49-08-14	2
48	215031	Hose P84-08-14/821LT-08/P49-08-14, L	Schlauch P84-08-14/821LT-08/P49-08-1	Flexible P84-08-14/821LT-08/P49-08-14	2
49	69900914	Fastening	Halter	Fixation	2
50	82401100	Clip	Schlauchklemme	Collier de serrage	2
51	94252771	Fastening	Halter	Fixation	2
52	41263590	Hexagon screw M 8x 20 8.8 A2L, SFS-I	Sechskantschraube M 8x 20 8.8 A2L, SF	Vis hexagonale M 8x 20 8.8 A2L, SFS-I	5
53	54201208	Lock washer	Fächerscheibe	Rondelle d'arrêt	5
54	41265060	Hexagon screw M12x 20 8.8 A2L, SFS-I	Sechskantschraube M12x 20 8.8 A2L, S	Vis hexagonale M12x 20 8.8 A2L, SFS-I	3
55	46023312	Self-locking hexagon nut M12 m 8 s.sink	Sechskantmutter, selbstsichernd M12 m	Ecrou hexagonal autoblocant M12 m 8 s	2
56	41264080	Hexagon screw M10x 20 8.8 A2L, SFS-I	Sechskantschraube M10x 20 8.8 A2L, S	Vis hexagonale M10x 20 8.8 A2L, SFS-I	3
57	54201210	Lock washer	Fächerscheibe	Rondelle d'arrêt	3
58	40264220	Hexagon screw M10x 70 8.8 A2L, DIN 9	Sechskantschraube M10x 70 8.8 A2L, D	Vis hexagonale M10x 70 8.8 A2L, DIN 9	2
59	40265220	Hexagon screw M12x 80 8.8 A2L, DIN 9	Sechskantschraube M12x 80 8.8 A2L, D	Vis hexagonale M12x 80 8.8 A2L, DIN 9	2
60	46023310	Self-locking hexagon nut M10 m 8 s.sink	Sechskantmutter, selbstsichernd M10 m	Ecrou hexagonal autoblocant M10 m 8 s	2
62	54201212	Lock washer	Fächerscheibe	Rondelle d'arrêt	3

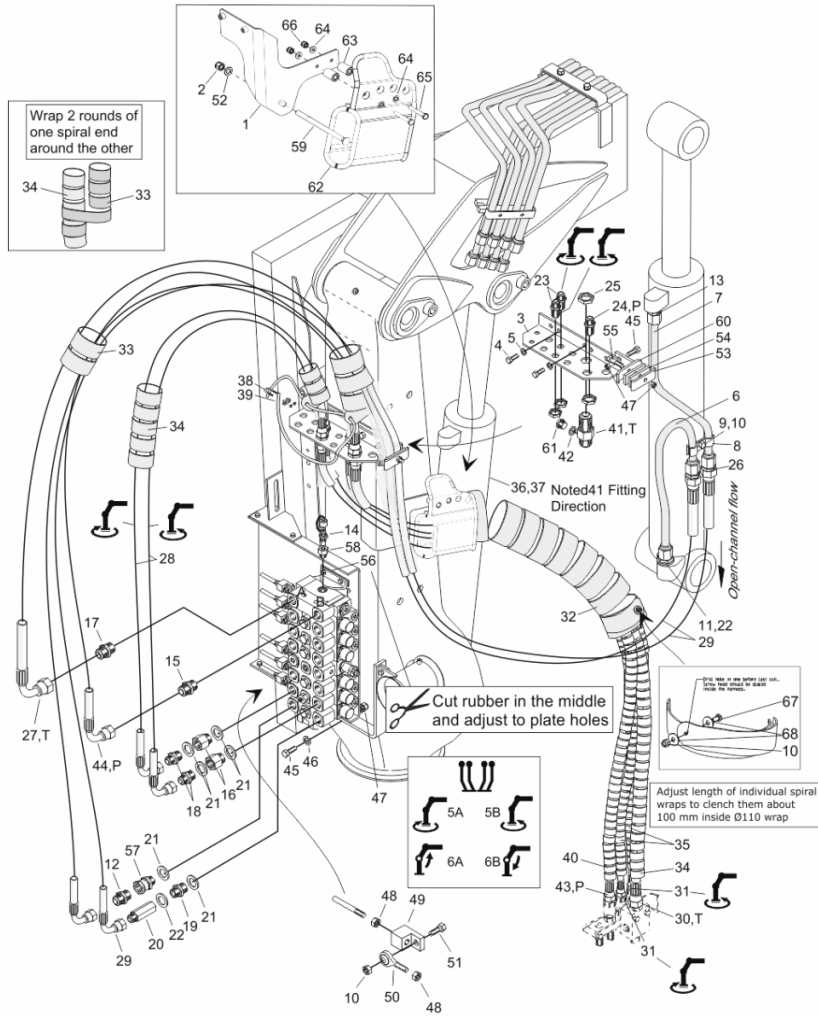
63	54060309	Washer M 8 sink., ISO 7091	Unterlagscheibe M 8 sink., ISO 7091	Rondelle M 8 sink., ISO 7091	4
	3045011	Hydraulic tubings at base 7 No 82051-, 5	Leitungen am Grundgestell 5 No 82051-, 5	Tuyauterie hydraulique de la base 5 No i	0
Kit 210031 Swivel joint assy:		Drehgelenk komplett		Raccord tournant complet	
24	38100645	Plug	Pfropfen	Bouchon	1
25	94236893	Housing	Gehäuse	Corps	1
26	3624587	Spool	Spindel	Tiroir	1
27	82371105	Wiper ring	Abstreifring	Bague racloir	1
28	82367352	O-ring 35,2x3 NBR SH/A 70,	O-Ring 35,2x3 NBR SH/A 70,	Joint torique 35,2x3 NBR SH/A 70,	3

Model:97037
Chapter**3045211 - Pressure filter 1 / FF 5001**

Pos	Part No	Description EN	Description DE	Description FR	Quantity
1	38310016	Replacement element	Filterpatrone	Elément de remplacement	1
2	38310519	Filter housing	Filtergehäuse	Corps du filtre	1
3	38310528	Filter tank	Filterbehälter	Filtre tank	1
4	38310530	Seal kit	Dichtungssatz	Ensemble de joints	1
5	38310529	Seal ring	Dichtungsring	Bague d'étanchéité	1
51	38310015	Pressure filter	Druckfilter	Filtre de pression	0
	304.521.1	Pressure filter 2 No 82051-, 96051-	Druckfilter 1 No 82051-, 96051-	Filtre de pression 1 No 82051-, 96051-	0

Model:97037 Chapter

3045901 - Hydraulic tubings at column 1/ 4 / R / JIC / cL / F 130 CF-N



3045901_9

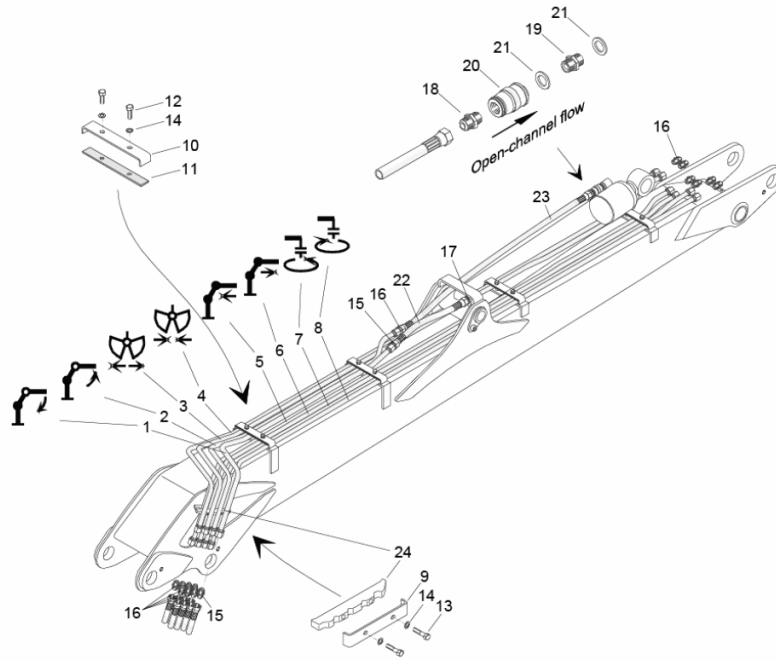
Pos	Part No	Description EN	Description DE	Description FR	Quantity
1	454-2424	BRACKET	HALTER	SUPPORT	1
2	9964487	LOCKING NUT	VERRIEGELUNGSMUTTER	ECROU DE VERROUILLAGE	1
3	94241254	Coupling console	KUPPLUNGSKONSOLE	ACCOUPLLEMENT console	1
4	9924345	SCREW	SCHRAUBE	VIS	2
5	9817123	LOCKING WASHER	VERRIEGELUNGSSCHEIBE	RONDELLE-FREIN	2
6	304779	HYDRAULIC PIPE	HYDRAULIKROHR	TUBE HYDRAULIQUE	1
7	304780	HYDRAULIC PIPE	HYDRAULIKROHR	TUBE HYDRAULIQUE	1
8	94253559	Fastening bracket	BEFESTIGUNGSHALTER	FERMETURE	2
9	9900420	SCREW	,SCREW	VIS	1
10	996-5823	LOCKING NUT M8	,LOCKING NUT	ECROU DE VERROUILLAGE	7
11	3692043	THROTTLE	DROSSELUNG	RESTRICTION	1
12	38750112	EXTENSION COUPLING HOUSING	ERGÄNZNG KUPPLUNGSGEHÄUSE	RACCORD	1
13	9991662	NIPPLE 7/8-1/2	NIPPEL	RACCORD	1
14	38450001	Pressure gauge adapter	MANOMETERNIPPEL	ADAPTATEUR	1
15	9857991	NIPPLE		RACCORD	1
16	210785	Extention nipple	VERLÄNGERUNGSANSCHLUSS	RACCORD	2
17	9988114	NIPPLE	NIPPEL	RACCORD	1
18	94236270	One way restrictor	EINWEG-DROSSEL	REDUCTION	2
19	94381786	Double adapter	DOPPELANSCHLUSS	ADAPTATEUR DOUBLE	1
20	210422	Bushing	BUCHSE	BAGUE	1
21	9904051	SEAL WASHER	DICHTSCHEIBE	RONDELLE D'ETANCHEITE	6
22	9904042	SEAL WASHER	DICHTSCHEIBE	RONDELLE D'ETANCHEITE	2
23	9822232	BULKHEAD FITTING	SCHOTTVERSCHRAUBUNG	PASSE CLOISON	2
24	9998055	BULKHEAD FITTING	SCHOTTVERSCHRAUBUNG	PASSE CLOISON	1
25	9816631	NUT	MUTTER	ECROU	1
26	9985336	NIPPLE	NIPPEL	RACCORD	2
27	38622631	Hose	SCHLAUCH	FLEXIBLE	1
28	38622742	Hose	SCHLAUCH	FLEXIBLE	2
29	38622803	LETKU P84-8-14/833-8/P49-8-14/			2
30	38622045	HOSE	SCHLAUCH	FLEXIBLE	1
31	38622741	Hose	SCHLAUCH	FLEXIBLE	2
32	82422210	SPIRAL WRAP	ABDECKUNG	COUVERCLE	1
33	82422075	Cover	ABDECKUNG	COUVERCLE	1
34	94235630	Hose guard	SCHLAUCHSCHUTZ	PROTECTION	2
35	82422025	COVER	ABDECKUNG	COUVERCLE	2
36	9924051	SCREW	SCHRAUBE	VIS	1
37	9903861	WASHER M8	,WASHER M8	RONDELLE M8	1
38	67790050	Wire lock	SICHERUNGSDRAHT,		1
39	69657470	STEEL WIRE ROPE	STAHLDRRAHT ROPE	CABLE	1
40	82422134	Hose guard	SCHLAUCHSCHUTZ	PROTECTION	1
41	210340	ADAPTOR	ADAPTER	ADAPTATEUR	1
42	9939334	SEAL WASHER	DICHTSCHEIBE	RONDELLE D'ETANCHEITE	1
43	38620532	Hose	SCHLAUCH	FLEXIBLE	1
44	38622743	LETKU P84-12-17/833-12/P49-12-			1
45	9900471	SCREW	SCHRAUBE	VIS	5
46	9914111	WASHER M10	SCHEIBE	RONDELLE M10	4
47	9964347	LOCKING NUT	,LOCKING NUT	ECROU DE VERROUILLAGE	6
48	9900055	NUT	,NUT	ECROU	12
49	210878	Connecting piece	ANSCHLUSSNIPPEL	CONNECTION	6
50	94357539	Ball joint	KUGELGELENK	ROTULE	6
51	9900438	SCREW	SCHRAUBE	VIS	6
52	9910565	WASHER M16	SCHEIBE	RONDELLE M16	1
53	94260790	Fastener of tube	ROHRBEFESTIGUNG	FERMETURE	1
54	94242765	Rubber plate	GUMMIPLATTE	PLAQUE	2
55	9924230	SCREW	SCHRAUBE	VIS	1
56	94242764	Rubber plate	GUMMIPLATTE	PLAQUE	2
57	94381998	Connecting nipple	VERBINDUNGSNIPPEL	CONNECTION	1
58	94381906	Reducing nipple	REDUZIERNIPPEL	REDUCTION	1

59	989-5108				1
60	304866	Fastener of tube	ROHRHALTER	FERMETURE	1
61	94378846	Plug	STECKER	BOUCHON	1
62	115840	HOSE SUPPORT	STÜTZE,SCHLAUCH	SUPPORT,TUYAU FLEXIBLE	1
63	454-2425	SPACER	ABSTANDSHALTER	ENTRETOISE	2
64	9914129	PLAIN WASHER	SCHEIBE	RONDELLE M12	4
65	9924426	HEXAGON HEAD SCREW	SCHRAUBE	VIS	2
66	9953523	LOCKING NUT	VERRIEGELUNGSMUTTER	ECROU DE VERROUILLAGE	2
67	9876189	SCREW	SCHRAUBE	VIS	1
68	989-0211	WASHER	WASCHGERT	DISPOSITIF DE LAVAGE	2

Model:97037

Chapter

3046041 - Hydraulic tubings at first boom JIC / L=4000 / cL

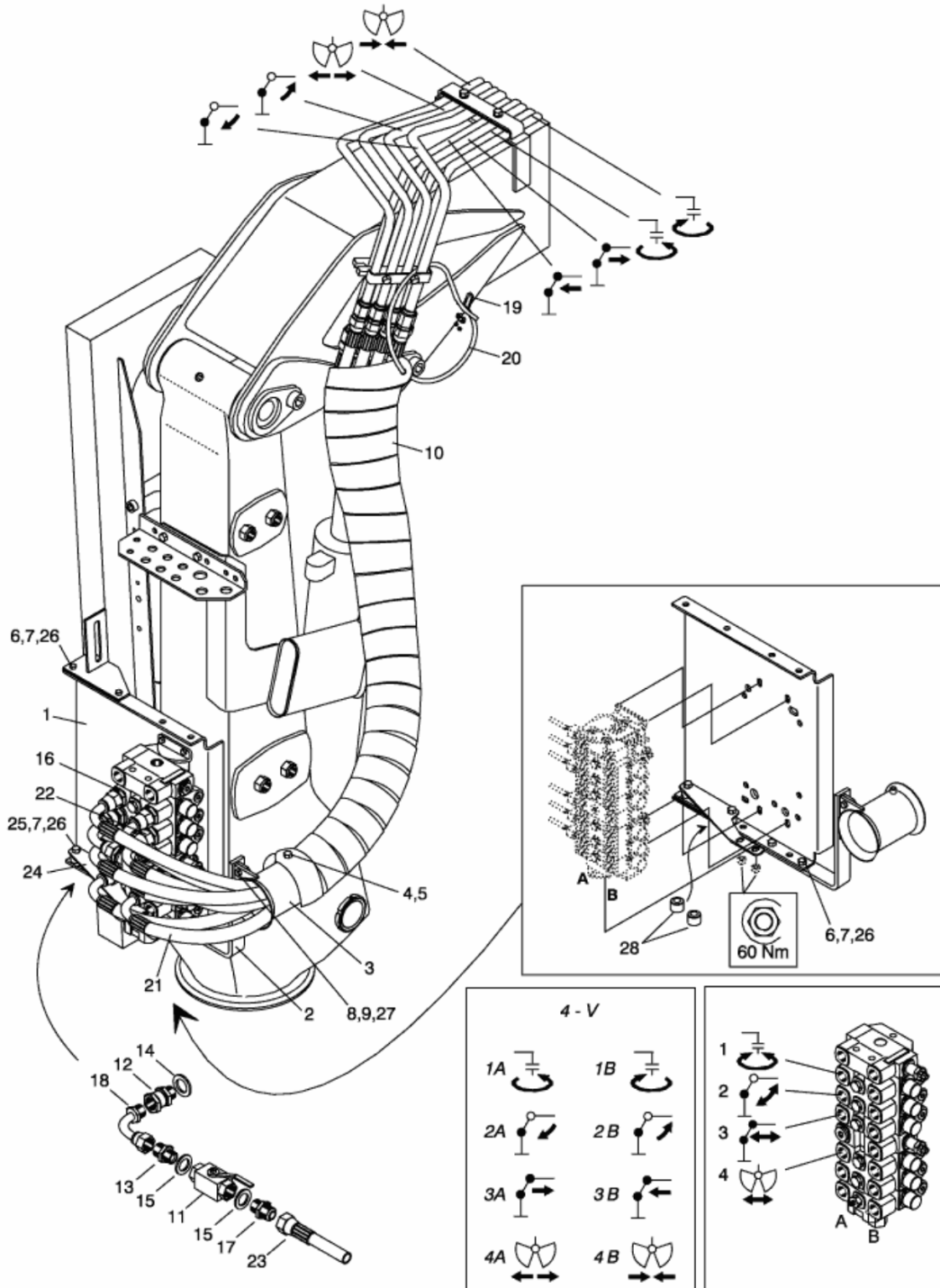


3046041_3

Pos	Part No	Description EN	Description DE	Description FR	Quantity
1	304726	Pipe assy	Rohr komplett	Tuyau complet	1
2	304725	Pipe assy	Rohr komplett	Tuyau complet	1
3	304724	Pipe assy	Rohr komplett	Tuyau complet	1
4	304723	Pipe assy	Rohr komplett	Tuyau complet	1
5	304708	Pipe assy	Rohr komplett	Tuyau complet	1
6	304707	Pipe assy	Rohr komplett	Tuyau complet	1
7	304704	Pipe assy	Rohr komplett	Tuyau complet	1
8	304703	Pipe assy	Rohr komplett	Tuyau complet	1
9	304713	Fastening	Halter	Fixation	1
10	304769	Fastening	Halter	Fixation	4
11	304722	Rubber tile	Gummiplatte	Semelle de caoutchouc	4
12	9900471	HEXAGON HEAD SCREW	SCHRAUBE	VIS	8
13	9924272	HEXAGON HEAD SCREW	SCHRAUBE	VIS	2
14	9817115	LOCK WASHER	Borgring	RONDELLE-FREIN	10
15	9985344	STRAIGHT COUPLING	NIPPEL	RACCORD	2
16	998-5336	NIPPLE	NIPPEL	RACCORD	14
17	9857991	NIPPLE		RACCORD	1
18	999-1662	NIPPLE 7/8-1/2 use 9991662	-,-,-,COUPLING afmeting	-,-,-,COUPLING afmeting	1
19	94381803	Double adapter	Doppelnippel	Raccord double	1
20	38144113	One way restrictor	Drosselrückschlagventil	Limiteur de débit sens unique	1
21	9904042	SEAL WASHER	SEAL WASHER	SEAL WASHER	2
22	456-4152	Hose - F0°1.1/16-12/Ø19/F0°1.1/16-12			1
23	456-4153	Hose F0°7/8-14/Ø12/F0°7/8-14			1
24	304345	Fastening	Halter	Fixation	1
	304.604.1	Hydraulic tubings at first boom 2 No 820:	Hydraulikröhre des Hubarmes 2 No 820:	Tuyauterie hydraulique du premier bras :	0

Model:97037
Chapter

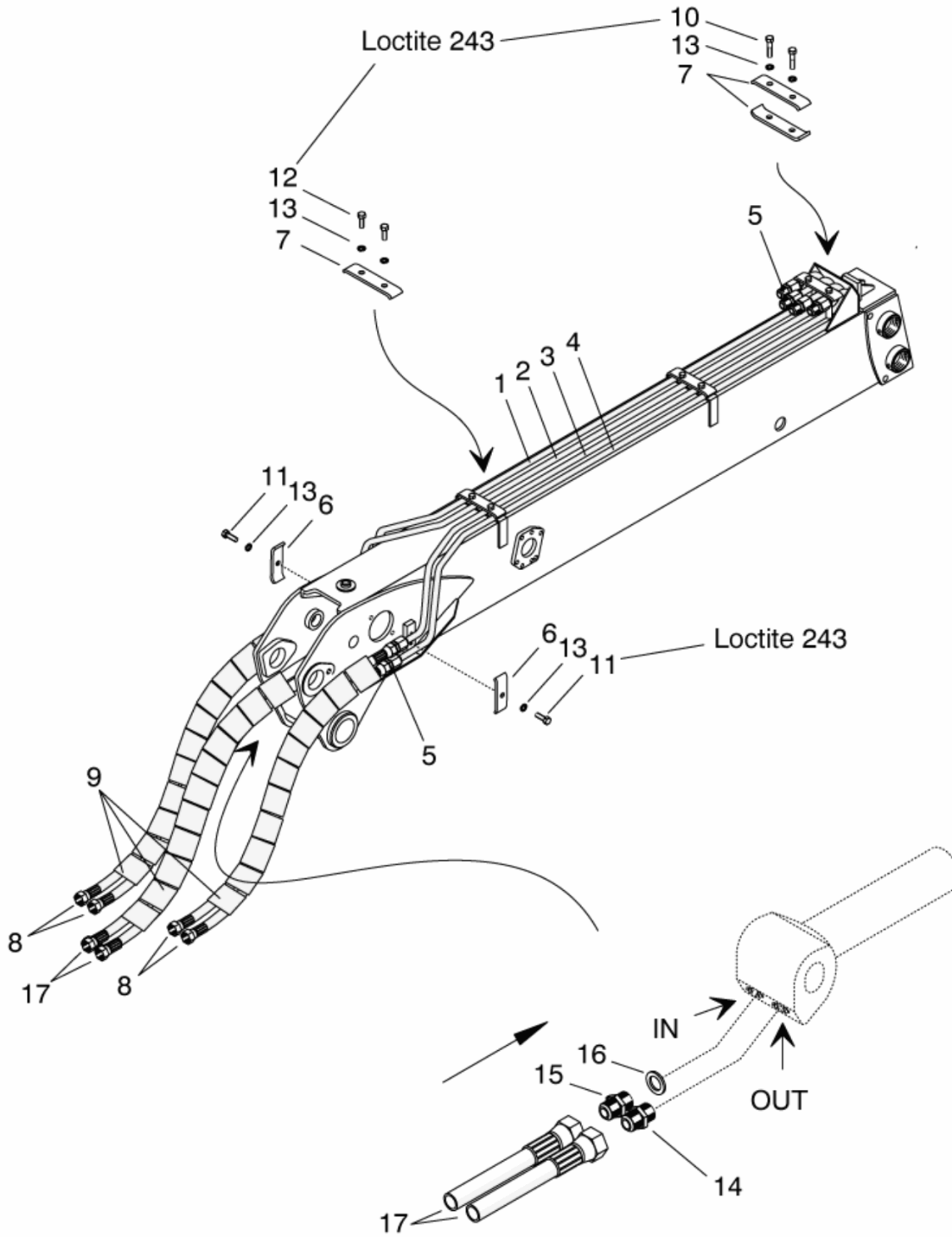
3046171 - Hydraulic tubings at first boom, cL / 4 / JIC / F 130 CF-N



Pos	Part No	Description EN	Description DE	Description FR	Quantity
1	115941	Fastening bracket	Befestigungsplatte	Plaque de fixation	1
2	94565677	Supporter	Träger	Console	1
3	94565680	Hose race	Schlauchführung	Tige de flexible	1
4	41263590	Hexagon screw M 8x 20 8.8 A2L, SFS-IE	Sechskantschraube M 8x 20 8.8 A2L, SF	Vis hexagonale M 8x 20 8.8 A2L, SFS-IE	1
5	54060309	Washer M 8 sink., ISO 7091	Unterlagscheibe M 8 sink., ISO 7091	Rondelle M 8 sink., ISO 7091	1
6	41265100	Hexagon screw M12x 30 8.8 A2L, DIN 9	Sechskantschraube M12x 30 8.8 A2L, D	Vis hexagonale M12x 30 8.8 A2L, DIN 9	4
7	46023312	Self-locking hexagon nut M12 m 8 s.sink	Sechskantmutter, selbstsichernd M12 m	Ecrou hexagonal autoblocant M12 m 8 s	6
8	41264120	Hexagon screw M10x 30 8.8 A2L, SFS-I	Sechskantschraube M10x 30 8.8 A2L, S	Vis hexagonale M10x 30 8.8 A2L, SFS-I	2
9	46023310	Self-locking hexagon nut M10 m 8 s.sink	Sechskantmutter, selbstsichernd M10 m	Ecrou hexagonal autoblocant M10 m 8 s	2
10	82422210	Spiral wrap	Schlauchschtzspirale	Banderolage hélicoïdale	1
11	38180003	Ball valve	Kugelventil	Vanne sphérique	1
12	94381995	Connecting nipple	Verbindungsniessel	Graisleur	1
13	94381786	Double reducing nipple	Doppelreduzierniessel	Graisleur	1
14	82371826	Seal ring	Dichtungsring	Bague d'étanchéité	1
15	82371821	Seal ring	Dichtungsring	Bague d'étanchéité	2
16	38710261	Male stud	Hauptverbindungsgehäuse	Goujon mâle	7
17	38750116	Extention coupling housing	Kupplungsgehäuse	Corps de collier de serrage	1
18	38750045	Angle nipple	Winkelniessel	Raccord coudé	1
19	67790050	Wire lock	Seilklemme	Verrouillage des câbles	1
20	69657470	Steel wire rope	Drahtseil	Câble en acier	0
21	38620818	Hose P84-08-14/821LT-08/P49-08-14, L	Schlauch P84-08-14/821LT-08/P49-08-1	Flexible P84-08-14/821LT-08/P49-08-14	6
22	38622629	Hose P84-08-14/833-08/P49-08-14, L=2	Schlauch P84-08-14/833-08/P49-08-14,	Flexible P84-08-14/833-08/P49-08-14, L	1
23	38620572	Hose P84-12-17/833-12/P84-12-17, L=2	Schlauch P84-12-17/833-12/P84-12-17,	Flexible P84-12-17/833-12/P84-12-17, L	1
24	211505	Plate	Blech	Plaque	1
25	40265200	Hexagon screw M12x 70 8.8 A2L, DIN 9	Sechskantschraube M12x 70 8.8 A2L, D	Vis hexagonale M12x 70 8.8 A2L, DIN 9	2
26	54060314	Washer M12 sink., ISO 7091	Unterlagscheibe M12 sink., ISO 7091	Rondelle M12 sink., ISO 7091	12
27	54060311	Washer M10 sink., ISO 7091	Unterlagscheibe M10 sink., ISO 7091	Rondelle M10 sink., ISO 7091	4
28	94236857	Bushing	Buchse	Manchon	2
	3046171	Hydraulic tubings at first boom 3 No 820	Hydraulikröhre des Hubarmes 1 No 820	Tuyauterie hydraulique du premier bras	0

Model:97037
Chapter

3046221 - Hydraulic tubings at second boom JIC / FT 96 S

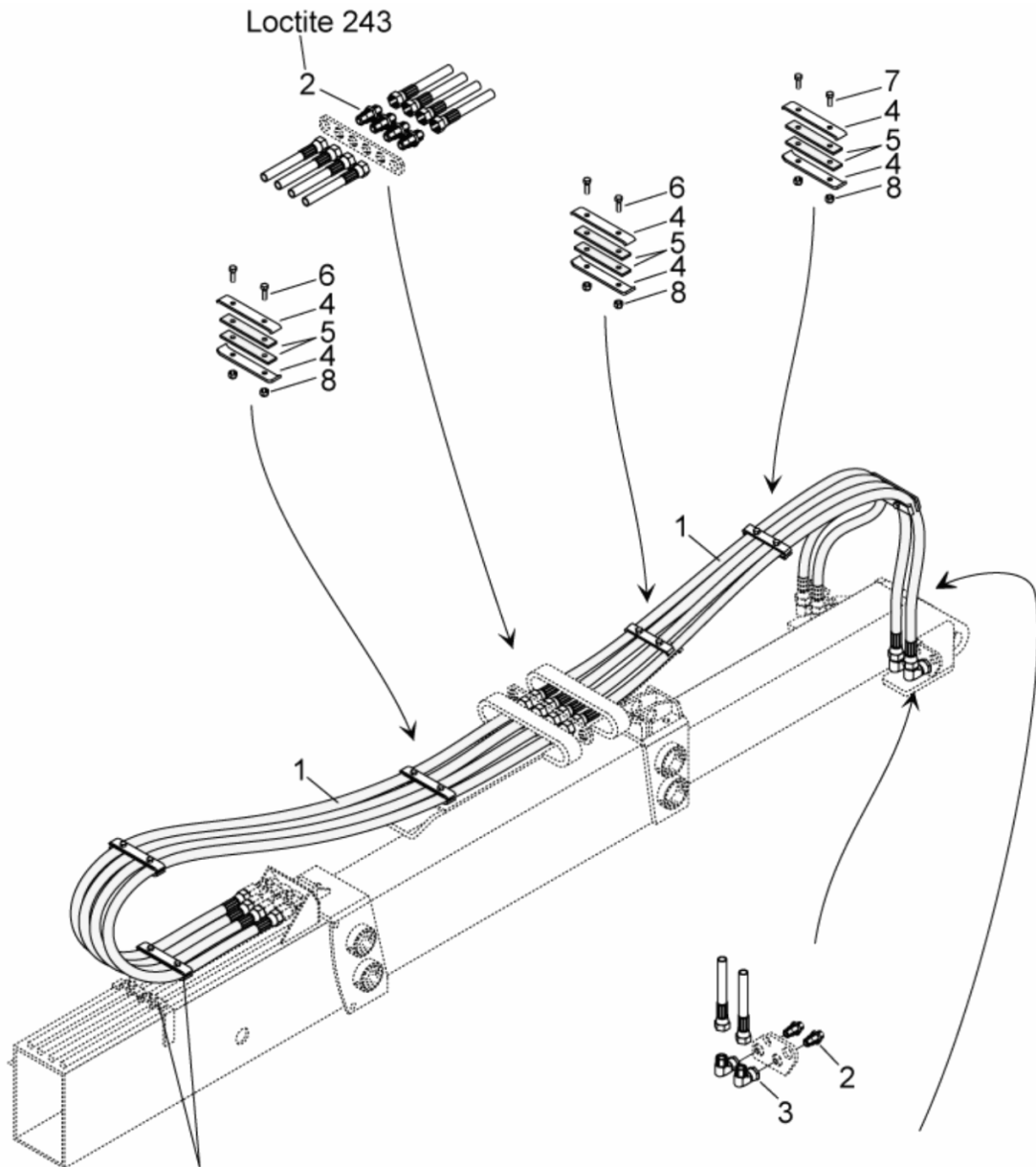


3046221_3

Pos	Part No	Description EN	Description DE	Description FR	Quantity
1	304751	Pipe assy	Rohr komplett	Tuyau complet	1
2	304752	Pipe assy	Rohr komplett	Tuyau complet	1
3	304753	Pipe assy	Rohr komplett	Tuyau complet	1
4	304754	Pipe assy	Rohr komplett	Tuyau complet	1
5	38750034	Extention coupling housing	Kupplungsgehäuse	Corps de collier de serrage	8
6	94252771	Fastening	Halter	Fixation	2
7	94265754	Fastening	Halter	Fixation	4
8	38620338	Hose P84-08-14/821LT-08/P84-08-14, L	Schlauch JIC 1/2" 0°/0° L=1000	Flexible JIC 1/2" 0°/0° L=1000	4
9	82422032	Spiral wrap	Schlauchschtzspirale	Gaine en spirale	3
10	41263670	Hexagon screw M 8 x 40 8.8	Sechskantschraube M 8 x 40 8.8	Vis hexagonale M 8 x 40 8.8	2
11	41263650	Hexagon screw M 8 x 35 8.8	Sechskantschraube M 8 x 35 8.8	Vis hexagonale M 8 x 35 8.8	2
12	41263590	Hexagon screw M 8 x 20 8.8	Sechskantschraube M 8 x 20 8.8	Vis hexagonale M 8 x 20 8.8	4
13	54200083	Spring washer B 8	Federring B 8	Rondelle d'arrêt B 8	8
14	38710260	Male stud	Hauptverbindungsgehäuse	Goujon mâle	1
15	94236332	One way restrictor	Drosselrückschlagventil	Limiteur de débit sens unique	1
16	82371821	Seal ring	Dichtungsring	Bague d'étanchéité	1
17	38620345	Hose P84-08-14/821LT-08/P84-08-14, L	Schlauch JIC 1/2" 0°/0° L=950	Flexible JIC 1/2" 0°/0° L=950	2
		Hydraulic tubings at second boom 3 No 82051-	Leitungen des Knickarmes 3 No 82051-	Tuyauterie hydraulique du bras d'articule	0

Model:97037
Chapter

3046401 - Hydraulic tubings at telescope JIC / FT 96 S



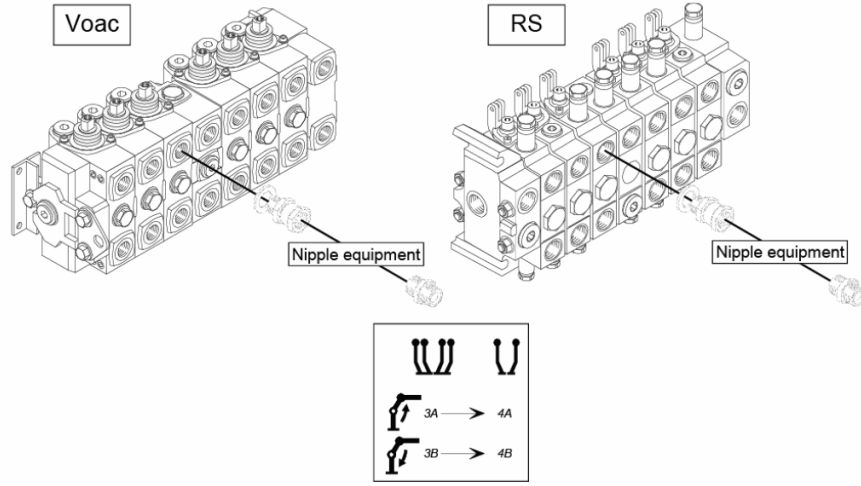
Huom! Liittimet vastakkain
 OBS! Kopplingar mot varandra
 Note! Couplings towards each other
 Achtung! Die Verschraubungen gegen einander
 Attention! Les coupleurs face à face

Rotator
 Indexator/MR R/B R/A GO/D1 G/C1

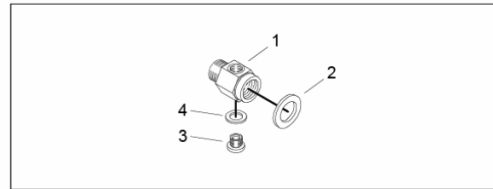
Pos	Part No	Description EN	Description DE	Description FR	Quantity
1	38620365	Hose P84-08-14/821LT-08/P84-08-14, L	Schlauch	Flexible	8
2	94268747	Bulkhead fitting	Durchgangsnippel	Raccord de cloison	8
3	38710639	Coupling housing	Kupplungsgehäuse	Logement de raccord	4
4	94259968	Fastening	Halter	Fixation	12
5	94242764	Rubber tile	Gummiplatte	Semelle de caoutchouc	12
6	40263691	Hexagon screw	Sechskantschraube	Vis hexagonale	4
7	40263690	Hexagon screw	Sechskantschraube	Vis hexagonale	8
8	46023308	Self-locking hexagon nut	Sechskantmutter, selbstsichernd	Ecrou hexagonal autobloquant	12
	304.640.1	Hydraulic tubings at telescope 2 No 820:	Leitungen am Doppelteleskop 1 No 820€	Tuyauterie hydraulique du télescope 1 N	0

Model:97037 Chapter

3047311 - Hydraulic tubings at column, CE-equipment



Nipple equipment

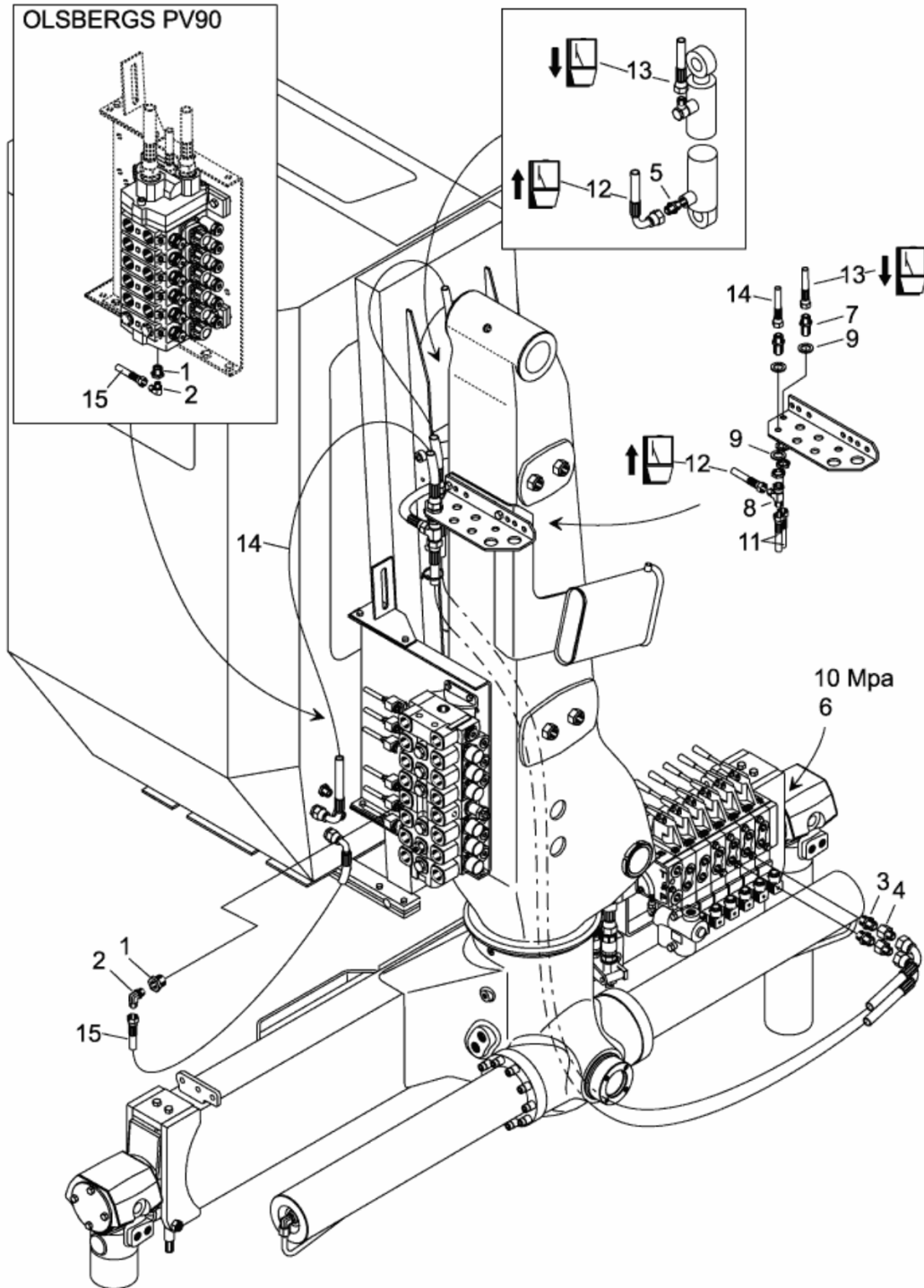


3047311_2

Pos	Part No	Description EN	Description DE	Description FR	Quantity
1	94236312	Pressure gauge adapter	DRUCKKANZEIGE ADAPTER	ADAPTATEUR	1
2	990-4042	Seal ring	Dichtungsring	Bague d'étanchéité	1
3	94378846	Plug	STECKER	BOUCHON	1
4	993-9334	Seal ring	Dichtungsring	Bague d'étanchéité	1

Model:97037
Chapter

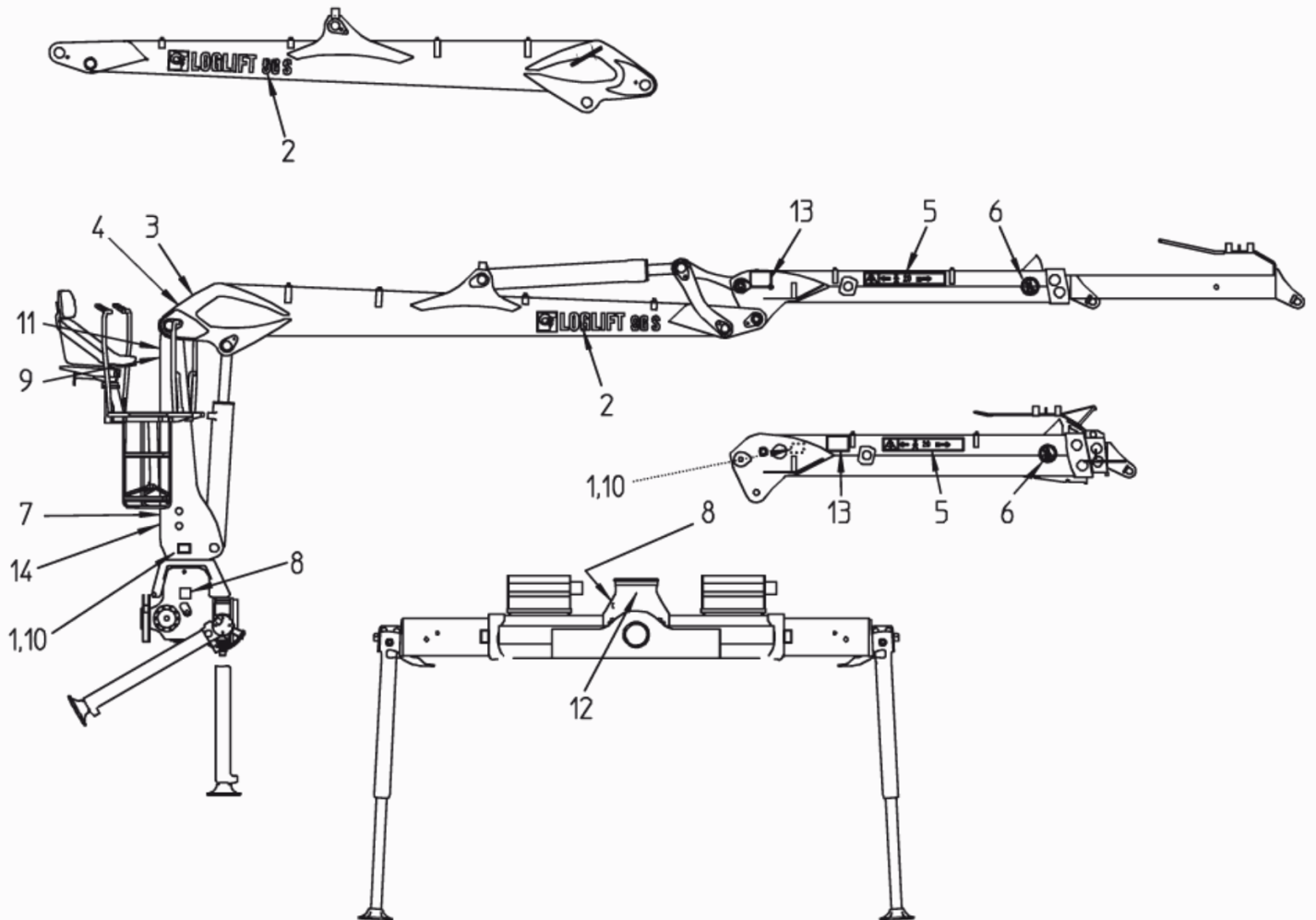
3047501 - Up/down valve, JIC / F 130 CF-N / PVG 32 / PV 90



Pos	Part No	Description EN	Description DE	Description FR	Quantity
1	94381906	Transformation nipple	Transformationsnippel	Graisseur transformateur	1
2	38710315	Male stud	Hauptverbindungsgehäuse	Goujon mâle	1
3	38710260	Male stud	Hauptverbindungsgehäuse	Goujon mâle	2
4	38710717	Coupling housing	Kupplungsgehäuse	Logement de raccord	2
5	38710254	Male stud	Hauptverbindungsgehäuse	Goujon mâle	1
6	38103662	Pressure relief valve	Druckbegrenzungsventil	Soupape de sûreté	2
7	38710077	Inlet coupling	Durchlassverschraubung	Raccord d'entrée	2
8	38710697	L-coupling housing	L-Kopplungsgehäuse	Logement du raccord en L	1
9	54083110	Washer 12 C s.sink. (ø13/37-3), SFS-IS	Unterlagscheibe 12 C s.sink. (ø13/37-3)	Rondelle 12 C s.sink. (ø13/37-3), SFS-I	4
11	215071	Hose P84-04-10/821LT-04/P49-04-10, L	Schlauch P84-04-10/821LT-04/P49-04-1	Flexible P84-04-10/821LT-04/P49-04-10	2
12	38620491	Hose P84-04-10/821LT-04/P49-04-10, L	Schlauch P84-04-10/821LT-04/P49-04-1	Flexible P84-04-10/821LT-04/P49-04-10	1
13	38622106	Hose P84-04-10/821LT-04/P84-04-10, L	Schlauch P84-04-10/821LT-04/P84-04-1	Flexible P84-04-10/821LT-04/P84-04-10	1
14	38620108	Hose P84-04-10/821LT-04/P49-04-10, L	Schlauch P84-04-10/821LT-04/P49-04-1	Flexible P84-04-10/821LT-04/P49-04-10	1
15	38620492	Hose P84-04-10/821LT-04/P49-04-10, L	Schlauch P84-04-10/821LT-04/P49-04-1	Flexible P84-04-10/821LT-04/P49-04-10	1
	3047501	Up/down valve 5 No 82051-, 96051-	Hub- und Senkventil 2 No 82051-, 96051	Vanne de montée/descente 2 No 82051-	0

Model:97037
Chapter

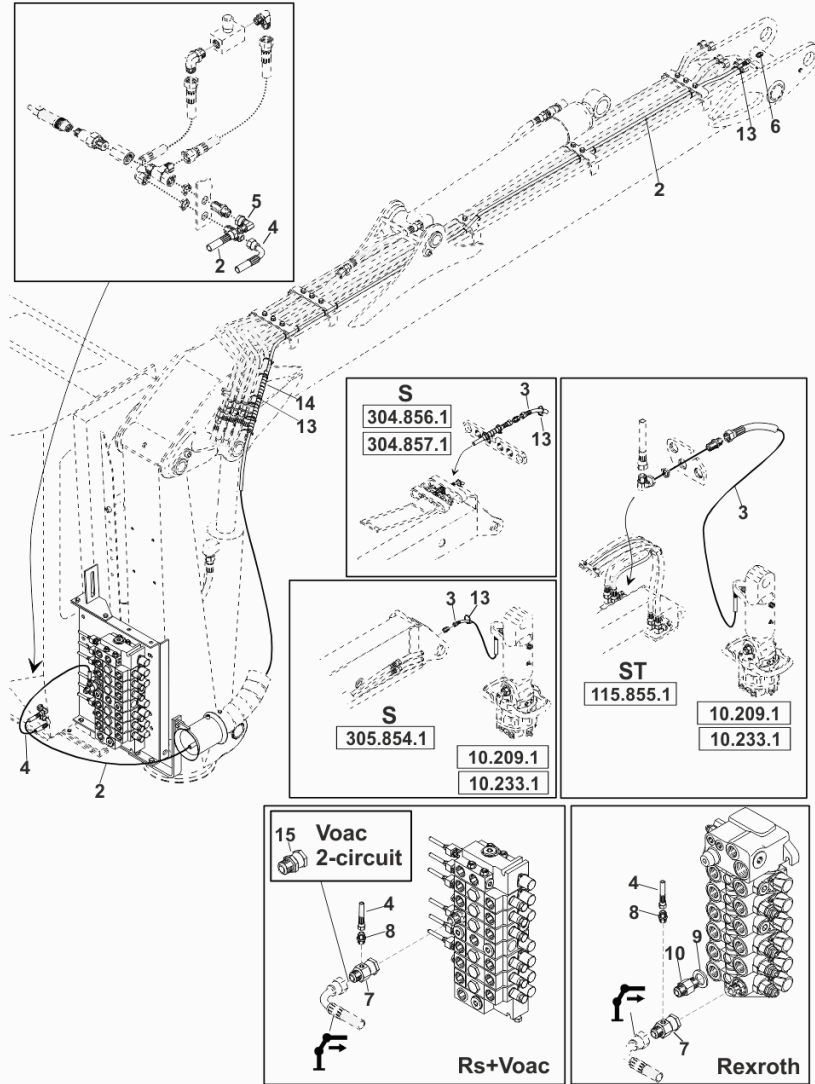
3047732 - Plates, F 96 ST 97



Pos	Part No	Description EN	Description DE	Description FR	Quantity
1	211864	Type plate, CE marked	Typenschild, mit CE-Markierung	Plaque du type, marquée CE	1
1	211865	Type plate, not CE marked	Maschinenschild, ohne CE-mark.	Plaque du type, non marquée CE	1
1	94290017	Type plate, not CE marked	Maschinenschild, ohne CE-mark.	Plaque du type, non marquée CE	1
1	94290018	Type plate, CE marked	Typenschild, mit CE-Markierung	Plaque du type, marquée CE	1
1	94290024	Machine plate, Russia	Typenschild, Russland	Plaque signalétique, Russie	1
2	211020	Type plate	Typenschild	Plaque du type	2
3	304008	Load plate	Tragtabelle	Plaque de charge	1
3	304057	Load plate	Tragtabelle	Plaque de charge	1
4	94236012	Steering scheme	Steuerschema	Schéma de commande	1
4	94254636	Steering scheme	Steuerschema	Schéma de commande	1
4	94254785	Steering scheme	Steuerschema	Schéma de commande	1
4	94566026	Steering scheme	Steuerschema	Schéma de commande	1
5	210023	Warning plate	Warnungsschild	Plaque d'avertissement	2
5	3687830	Warning plate	Warnungsschild	Plaque d'avertissement	2
6	3641775	Warning plate	Warnungsschild	Plaque d'avertissement	2
7	211825	Valve plate	Ventilschild	Plaque de soupape	1
7	211830	Valve plate	Ventilschild	Plaque de soupape	1
7	94236008	Valve plate	Ventilschild	Plaque de soupape	1
7	94263013	Valve plate	Ventilschild	Plaque de soupape	1
7	94263014	Valve plate	Ventilschild	Plaque de soupape	1
7	94263015	Valve plate	Ventilschild	Plaque de soupape	1
7	94263016	Valve plate	Ventilschild	Plaque de soupape	1
7	94263017	Valve plate	Ventilschild	Plaque de soupape	1
8	94236009	Oil filling plate	Öleinfüllungsschild	Plaque de complément du niveau d'huile	1
8	94263036	Oil filling plate	Öleinfüllungsschild	Plaque de complément du niveau d'huile	1
9	211826	Maintenance instruction	Wartung	Instructions de maintenance	1
9	211831	Maintenance instruction	Wartung	Instructions de maintenance	1
9	94263030	Maintenance instruction	Wartung	Instructions de maintenance	1
9	94263031	Maintenance instruction	Wartung	Instructions de maintenance	1
9	94263032	Maintenance instruction	Wartung	Instructions de maintenance	1
9	94263033	Maintenance instruction	Wartung	Instructions de maintenance	1
9	94263034	Maintenance instruction	Wartung	Instructions de maintenance	1
9	94263035	Maintenance instruction	Wartung	Instructions de maintenance	1
10	55798233	Charging rivet	Stift	S'ouvre	4
11	211818	Warning plate	Warnungsschild	Plaque d'avertissement	1
12	94290025	Stop sticker	Halt-Aufkleber	Autocollant d'arrêt	1
13	94236018	Maintenance instruction	Wartung	Instructions de maintenance	1
14	211647	Test drive sticker		Étiquette autoadhésive de la conduite d'	1
	3047732	Plates 4			0

Model:97037
Chapter

3047822 - Load weighing device, JIC / c / LM2000 Plus



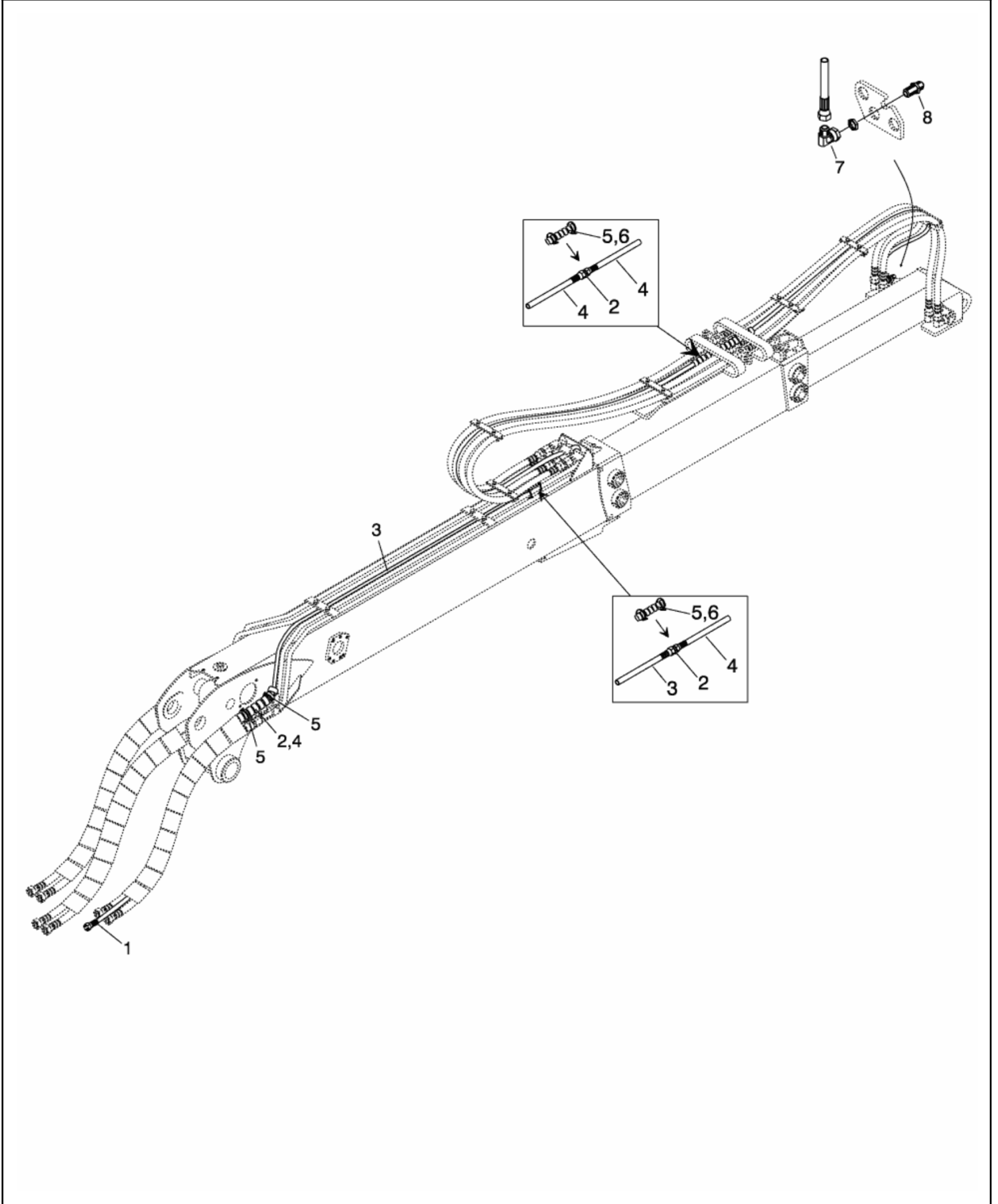
3047822_9

Pos	Part No	Description EN	Description DE	Description FR	Quantity
2	38622727	HOSE			1
3	38622729	HOSE			1
4	38620492	HP HOSE			1
5	38710637	Coupling housing			1
6	38750032	Extention coupling housing			1
7	38710418	Coupling			1
8	38710255	Male stud			1
9	82371826	Seal ring			1
10	210446	EXTENSION NIPPLE			1
13	94390025	Bunch clamp			20
14	82422016	Hose guard			1
15	210782	Connecting nipple			1

Model:97037

Chapter

3048551 - Weighing tubings at telescope, T 10 / JIC / LM 2000 Plus

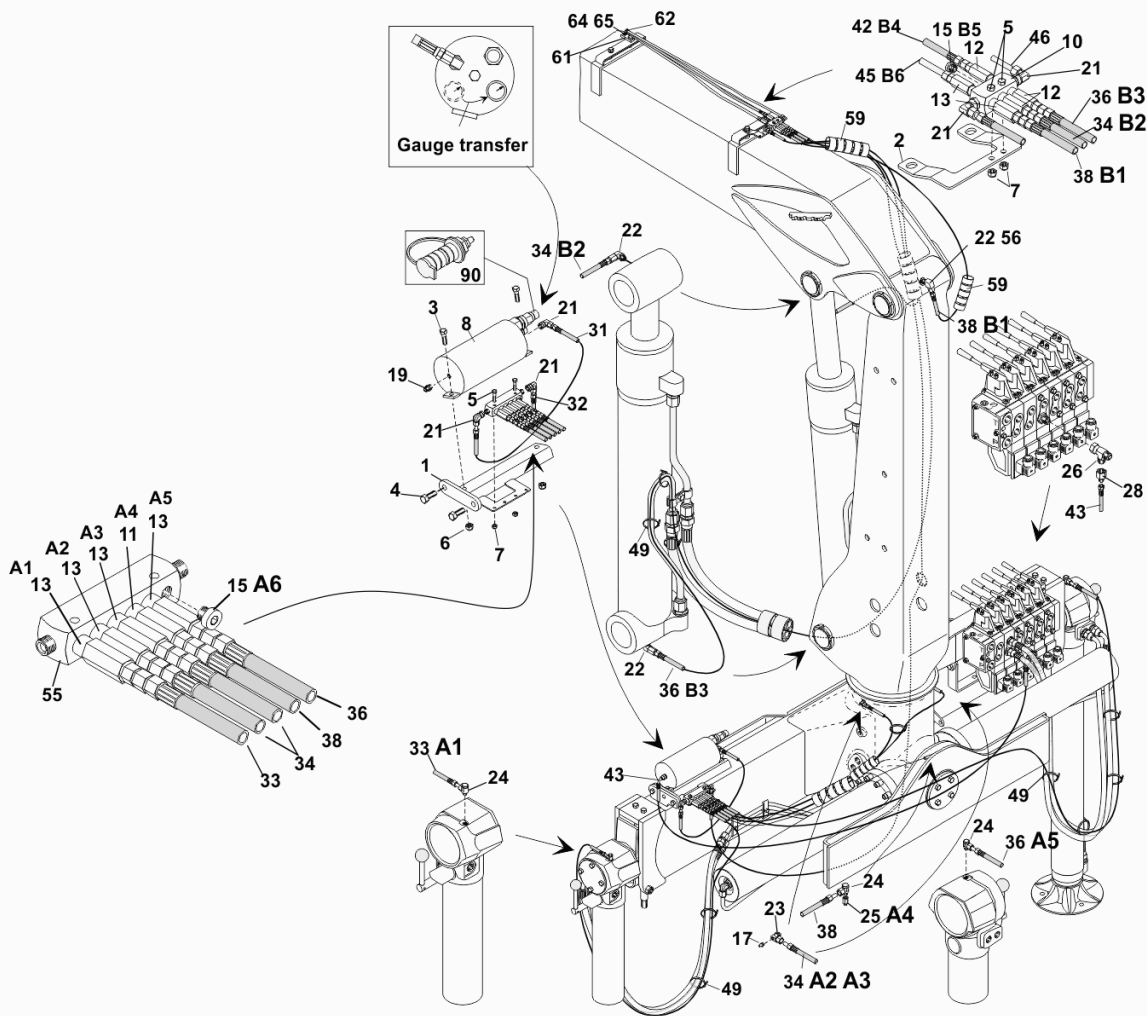


Pos	Part No	Description EN	Description DE	Description FR	Quantity
1	38622109	Hose P84-04-10/821LT-04/P84-04-10, L	Schlauch	Flexible	1
2	38750032	Extention coupling housing	Kupplungsgehäuse	Corps de collier de serrage	3
3	38627735	Hose P84-04-10/821LT-04/P84-04-10, L	Schlauch	Flexible	1
4	38622112	Hose P84-04-10/821LT-04/P84-04-10, L	Schlauch	Flexible	2
5	82422016	Spiral wrap	Schlauchschtzspirale	Banderolage hélicoïdal	1
6	94390025	Bunch clamp	Klemme	Collier	10
7	38710637	Coupling housing	Kupplungsgehäuse	Logement de raccord	1
8	38710077	Inlet coupling	Durchlassverschraubung	Raccord d'entrée	1
	3048551	Weighing tubings at telescope 2 No 820:			0

Model:97037

Chapter

3048821 - Centralized lubrication system, safematic / F 82/96 ST 97



See Page 2

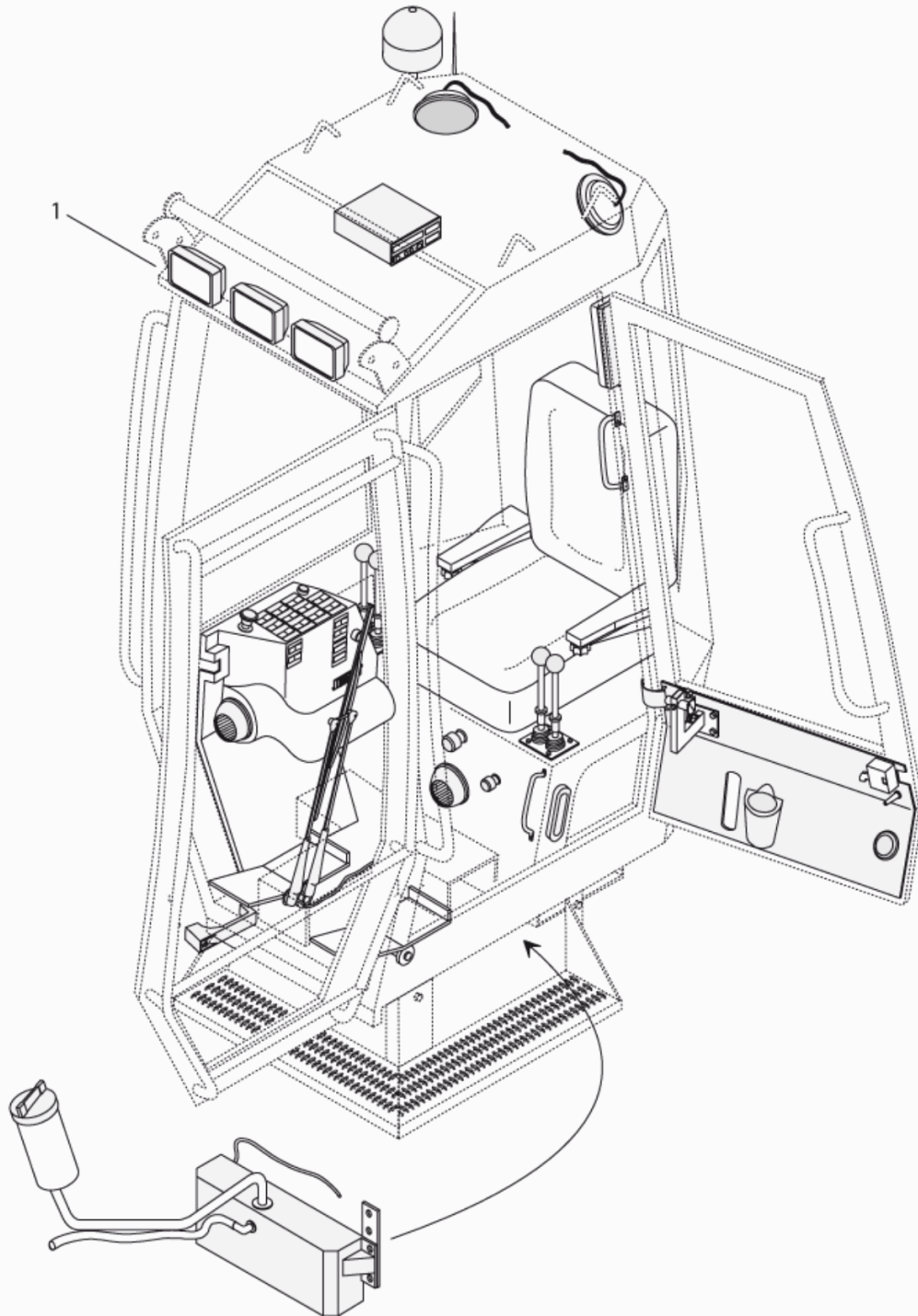
3048821_4

Pos	Part No	Description EN	Description DE	Description FR	Quantity
1	304685	FASTENING			1
2	304682	FASTENER			1
3	41264120	Hexagon screw			2
4	41265140	Hexagon screw			2
5	40262030	HEXAGON SCREW			6
6	46023310	Hexagon nut			2
7	46023305	Hexagon nut			6
8	210200	Lubricating device			1
10	210456	MOUNTING BAR			1
11	210205	Distributor			1
12	210206	Distributor			3
13	210207	DISTRIBUTOR			12
15	30679404	PLUG			2
17	67411080	Grease nipple			2
19	38710255	Male stud			1
21	94379004	ADJ. ANGLE COUPL. HOUSING			5
22	94380172	Angle coupling			9
23	210208	ANGLE COUPLING			2
24	94380772	Coupling, swing elbow			4
25	94230631	Extension of grease nipple			1
26	38710699	L-COUPLING HOUSING			1
28	38710717	COUPLING HOUSING			1
31	210220	HOSE			1
32	210221	HOSE			1
33	94411657	LETKU 2172-6-2/P210-2/2172-6-2			1
34	94413612	Hose			4
36	210213	HOSE			1
38	210233	HOSE			5
42	210487FC	HOSE			1
43	38622753	LETKU P84-4-10/821LT-4/P49-4-1			1
45	210480FC	PIPE			1
46	210482FC	PIPE			1
49	94390027	Bunch clamp			20
55	210201	MOUNTING BAR			2
56	54201210	Lock washer			1
59	82422016	Hose guard			4
61	210470FC	FASTENING			3
62	94390013	MONT.BAND LEP 13			2
64	41263050	Hexagon screw			3
65	54200063	Spring washer			3
Kit 210498FC FILLING COUPLING:					
91	67411014	Grease nipple			0
92	210496	Conflicting item			0
93	210497	Conflicting item			0

Model:97037

Chapter

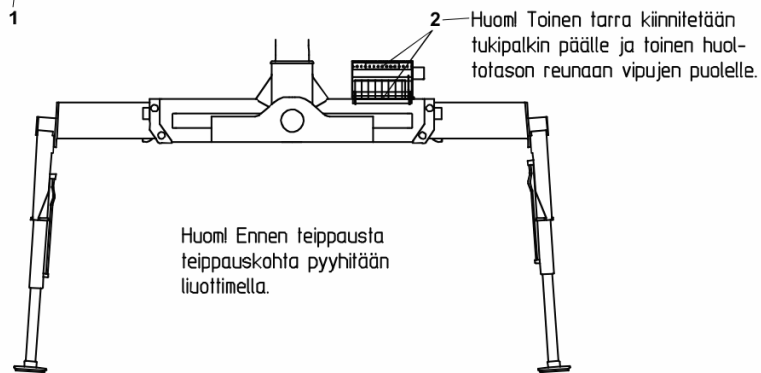
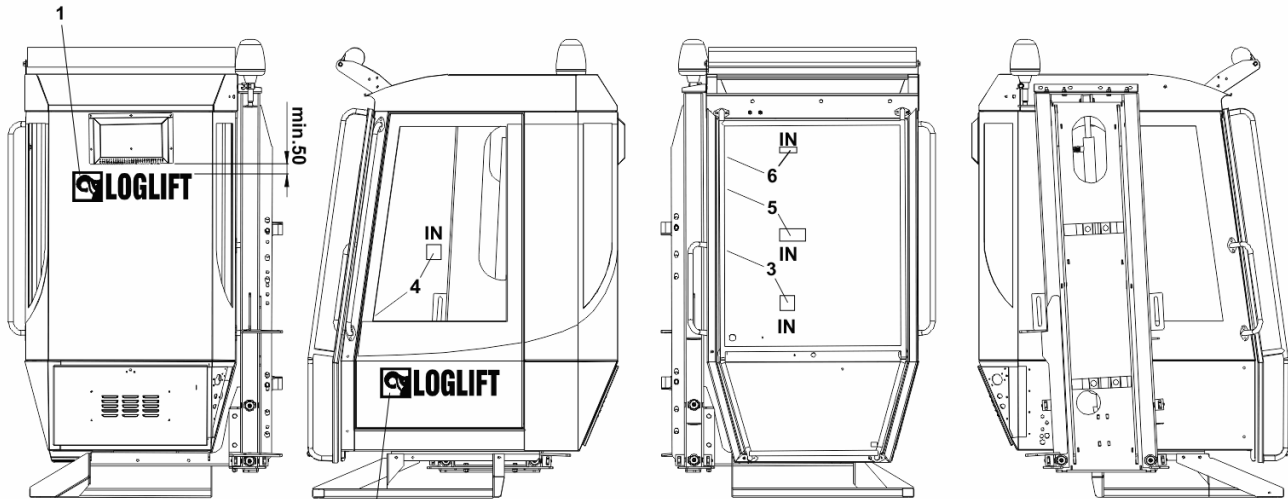
833241 - Driver's cab model / 4 / cL V906V / mechanical control



Pos	Part No	Description EN	Description DE	Description FR	Quantity
1	600504	Driver's cab	Kabine	Poste de conduite	1
	833241	Driver's cab model 1			0

Model:97037
Chapter

837141 - Plates Loglift / cabin



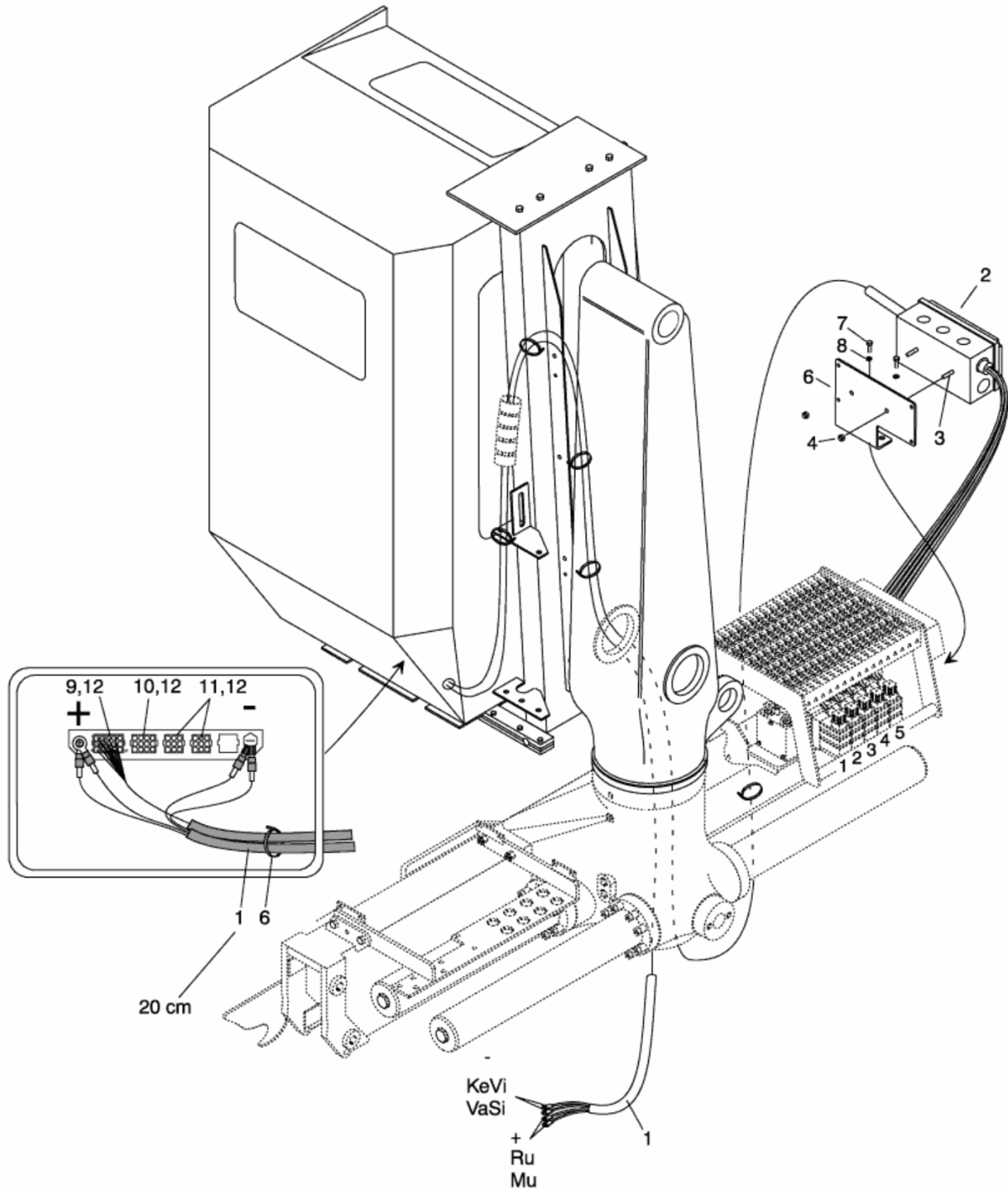
837141_4

Pos	Part No	Description EN	Description DE	Description FR	Quantity
1	211061	Plates			2
2	94565780	Plates			2
3	94290254	Steering scheme			1
4	94236012	Steering scheme			1
4	94254636	Steering scheme			1
5	211826	MAINTENANCE INSTRUCTION			1
5	211831	DECAL	AVFKLEBER	AUTO-COLLANT	1
5	94263030	Sticker			1
5	94263031	Sticker			1
5	94263032	Sticker			1
5	94263033	Sticker			1
5	94263034	Sticker			1
5	94263035	MAINTENANCE INSTRUCTION			1
6	211818	WARNING SIGN	WARNUNGSSCHILD	PLAQUE D' AVERTISSEMENT	1

Model:97037

Chapter

838912 - Column, cab model, K 500/600/700 MF / E



Pos	Part No	Description EN	Description DE	Description FR	Quantity
1	94290310	Cable	Kabel	Câble	1
2	94290317	Case	Gehäuse	Boîtier	1
3	41263100	Hexagon screw M 6x 20 8.8 A2L, SFS-IE	Sechskantschraube M 6x 20 8.8 A2L, SF	Vis hexagonale M 6x 20 8.8 A2L, SFS-IE	2
4	46023306	Self-locking hexagon nut M 6 m 8 s.sink.	Sechskantmutter, selbstsichernd M 6 m 8 s.	Ecrou hexagonal autoblocant M 6 m 8 s.	2
6	94565190	Supporter	Träger	Console	1
7	41264050	Hexagon screw M10x 16 8.8 A2L, SFS-IE	Sechskantschraube M10x 16 8.8 A2L, S	Vis hexagonale M10x 16 8.8 A2L, SFS-IE	2
8	54201210	Lock washer	Fächerscheibe	Rondelle d'arrêt	2
9	79901181	Coupling	Verschraubung	Adapteur	2
10	79901183	Coupling	Verschraubung	Adapteur	1
11	79901185	Coupling	Verschraubung	Adapteur	1
12	79901187	pin	Zapfen	Axe	22
50	94290320	Insert	Benennung einfügen	Ajoute le nom	0
51	94290316	Cable	Kabel	Câble	1
	838912	Column, cab model 1 No 105051-			0